

Wrose Bluetooth® LED Illuminated Mirror INST05063, INST05064, INST05065



Specification

	INST05063 (Rectangular)	INST05064 (Circular – ø600mm)	INST05065 (Circular – ø800mm)
Finish	White	White	White
Dimensions	700(h) x 500(w) x 31(d) mm	600(diameter) mm	800(diameter) mm
Weight	7kg	6kg	8.3kg
Lighting Type	LED	LED	LED
Colour Changing Technology (CCT)	Yes	Yes	Yes
Switch Location	Front	Front	Front
Surface/Recess Fitting	Surface	Surface	Surface
Carcass/Frame Construction Material	Aluminium	Aluminium	Aluminium
Glass Thickness	5mm	5mm	5mm

Features

Technology	Bluetooth® connectivity in a super slim product
Lighting	LED lighting, colour changing, dimming
Hanging	Landscape or Portrait

FAQs

Please see following pages



Key Features + Benefits

5 Years Guarantee	2 Years Guarantee Electrical Components	IP44 IP44 Rated	LED LED Lighting	CCT CCT Control Lighting	Touch Controls	Bluetooth® Technology
Heated Demister Pad	SLIM Slim Depth	Portrait or Landscape Hanging				

Certifications + Accreditations

Roper Rhodes

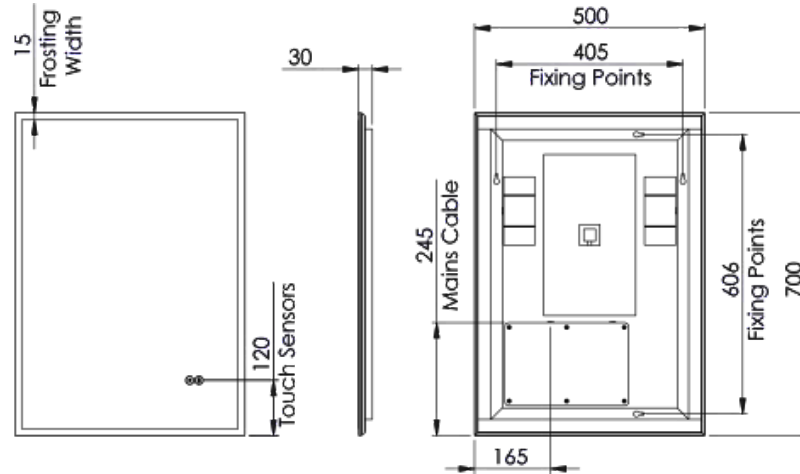
Brassmill Lane Trading Estate, Bath, BA1 3JF. Technical Support – Tel: 01225 303 900 Email: sales@roperrhodes.co.uk

All information on the data sheet is correct at the time of publication. All measurements are approximate and subject to standard tolerances.

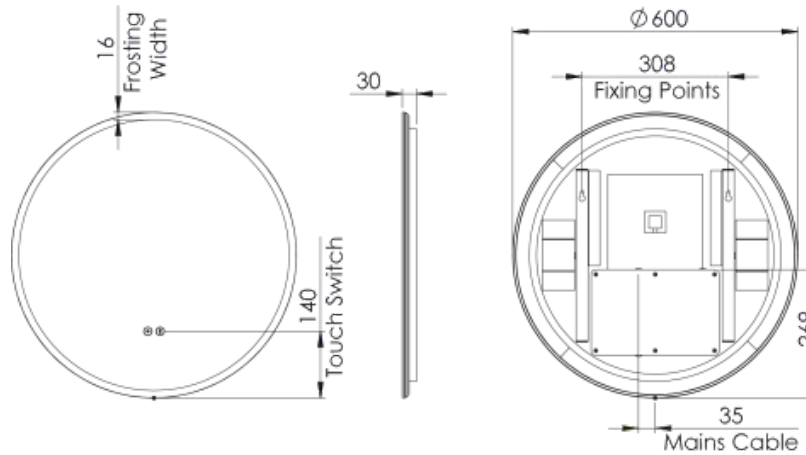
Technical Data Sheet | Cabinets + Mirrors

Wrose Bluetooth® LED Illuminated Mirror INST05063, INST05064, INST05065

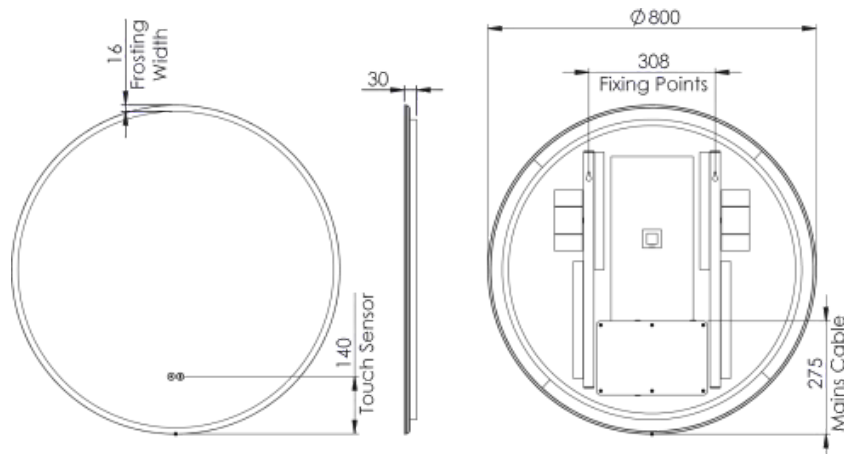
Rectangular (INST05063)



Circular – ø600mm (INST05064)



Circular – ø800mm (INST05065)



Roper Rhodes

Brassmill Lane Trading Estate, Bath, BA1 3JF. Technical Support – Tel: 01225 303 900 Email: sales@roperrhodes.co.uk

All information on the data sheet is correct at the time of publication. All measurements are approximate and subject to standard tolerances.

Wrose Bluetooth® LED Illuminated Mirror INST05063, INST05064, INST05065

FAQs

	INST05063 (Rectangular)	INST05064 (Circular – ø600mm)	INST05065 (Circular – ø800mm)
Can the mirror be hung landscape?	Yes	No	No
What is the thickness of the mirror glass?	5mm	5mm	5mm
Is the cabinet IP44 rated?	Yes – Suitable for use in bathroom zone 2		
What size fuse should I use?	Seek the advice of an electrician		
What is the total power consumption?	50.4W	69.6W	73.3W
Does the cabinet have an energy rating?	F	F	F
What is the colour of the light and the Kelvin rating?	3000-6000K	3000-6000K	3000-6000K
What is the Lumen of the LEDs?*	6192Lms	4896Lms	6624Lms
What is the wattage of the lights?	20.4W	27.6W	28.8W
Where is the IR sensor/rocker switch located?	Front bottom right	Front middle	Front middle
Where is the shaver socket located?	Inside on the bottom right	Inside on the bottom right	Inside on the bottom right
Can the LED lighting be replaced?	No**	No**	No**
Can the IR sensor be replaced?	Yes	Yes	Yes
What is the output of the demister pad?	6W	20W	17.5W
What are the dimensions of the demister pad?	200(h) x 200(w) mm	200(h) x 400(w) mm	200(h) x 350(w) mm
How do I turn on the demister pad?	The demister pad will turn on when the LEDs are turned on		
Are illuminated cabinets supplied with mains cable?	All illuminated mirrors are supplied with a removeable 500mm mains cable		
Bluetooth® Version	V5.0	V5.0	V5.0
Bluetooth® Range	7–10m (Dependant on location of installation)		
Bluetooth® Control	Independent touch sensor for BT on/off. Use phone to change volume and tracks		
Bluetooth® Device Memory	The mirror can remember up to 4 devices. Only 1 device can be connected at a time		

*The Lumen represents the output of the LED. This may vary depending on the diffuser material i.e., glass or acrylic.

**The LEDs are not replaceable to maintain the integrity of the product's resistance to moisture ingress.