

Wave Short Projection Rimless Wall Hung Pan INSWA016R, INSWA004



Seat Specification

Duraplast Quick Release, Soft Close, Wrap-Over, Seat + Cover (INSWA004)

Finish	White
Dimensions	53(h) x 363(w) x 424(d) mm
Weight	2.7kg
Seat Hinge Material	Metal / Plastic
Antibacterial Protection	Yes
Seat Type	Wrap Over
UV Protection	Yes
Max Load Test	150kg
Seat Material	Duraplast

Pan Specification

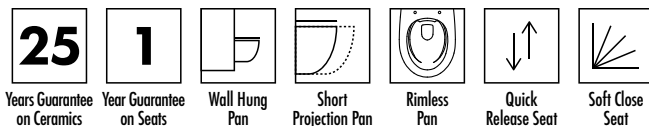
Short Projection Rimless Wall Hung Pan (INSWA016R)

Finish	White
Dimensions	390(h) x 360(w) x 475(d) mm
Weight	22.5kg
Fixing Supplied	Yes
Fixing Exposed or Concealed	Concealed

FAQs

Please see next page

Key Features + Benefits



Imex Ceramics

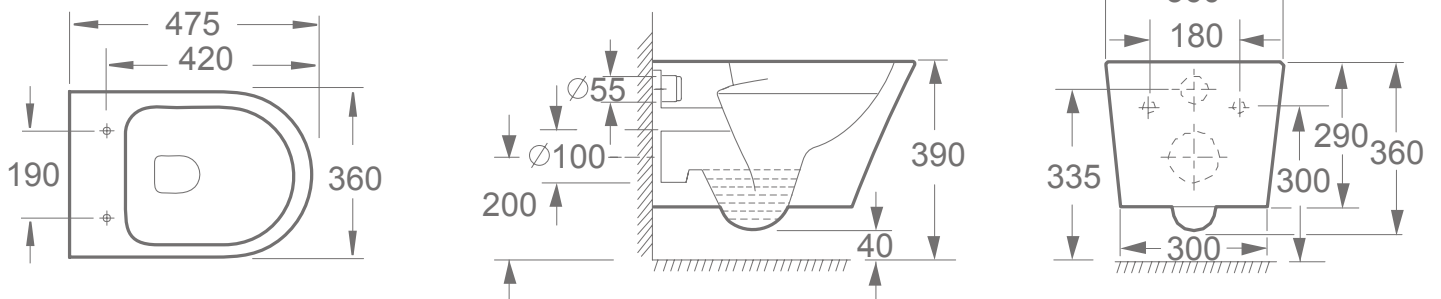
15 Millbrook Industrial Estate, Sybron Way, Crowborough TN6 3DU. Technical Support – Tel: 01530 835598 Email: sales@imexceramic.co.uk

All information on the data sheet is correct at the time of publication. All measurements are approximate and subject to standard tolerances.

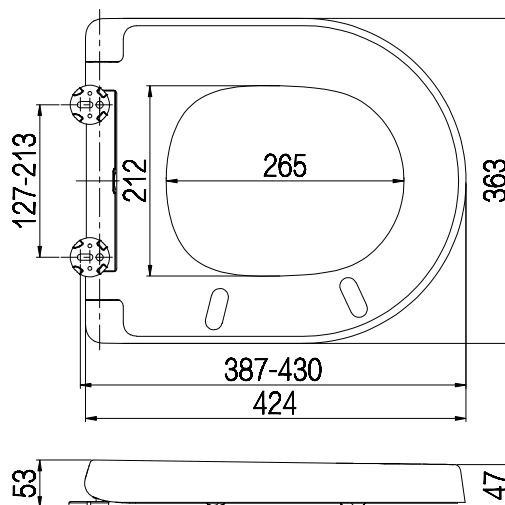
Certifications + Approvals

Wave Short Projection Rimless Wall Hung Pan INSWA016R, INSWA004

Pan (INSWA016R)



Seat (INSWA004)



Wave Short Projection Rimless Wall Hung Pan INSWA016R, INSWA004

FAQs

Q – Is this pan rimless or box rim?

A – Rimless.

Q – What finish is the ceramic glaze?

A – White.

Q – What's the maximum test load of the seat?

A – 150kg.