

Wave Standard Height Rimless Back To Wall Pan INSWA012R, INSWA003



Seat Specification

Duraplast Quick Release, Soft Close, Seat + Cover (INSWA003)

Finish	White
Dimensions	45(h) x 358(w) x 440(d) mm
Weight	3.1 kg
Seat Hinge Material	Metal / Plastic
Antibacterial Protection	No
Seat Type	Wrap Over
UV Protection	Yes
Max Load Test	150kg
Seat Material	Duraplast

Pan Specification

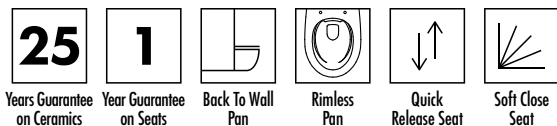
Standard Height Rimless Back To Wall Pan (INSWA012R)

Finish	White
Dimensions	390(h) x 360(w) x 520(d) mm
Weight	28.5kg
Fixing Supplied	Yes
Fixing Exposed or Concealed	Concealed

FAQs

Please see next page

Key Features + Benefits



Imex Ceramics

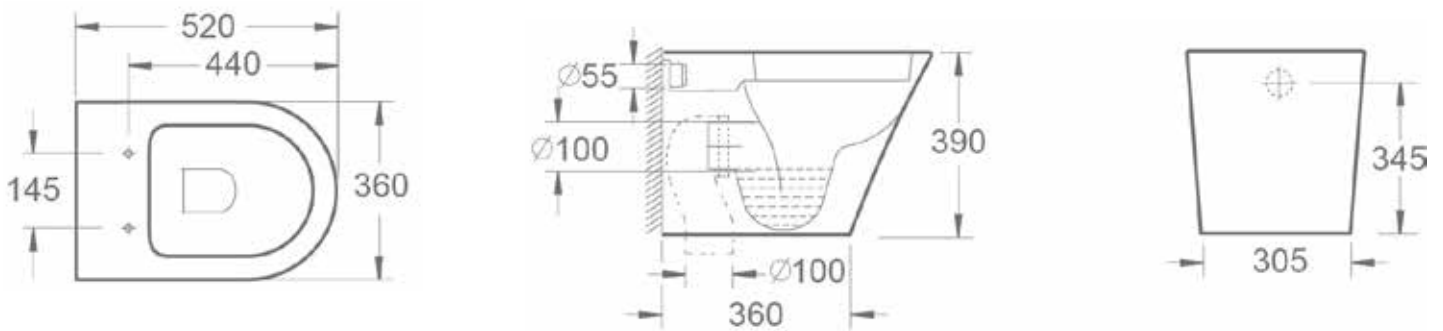
15 Millbrook Industrial Estate, Sybron Way, Crowborough TN6 3DU. Technical Support – Tel: 01530 835598 Email: sales@imexceramic.co.uk

All information on the data sheet is correct at the time of publication. All measurements are approximate and subject to standard tolerances.

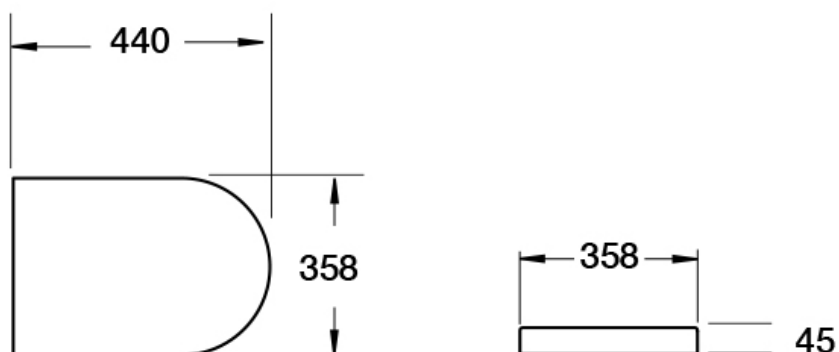
Certifications + Approvals

Wave Standard Height Rimless Back To Wall Pan INSWA012R, INSWA003

Pan (INSWA012R)



Seat (INSWA003)



Wave Standard Height Rimless Back To Wall Pan INSWA012R, INSWA003

FAQs

Q – Is this pan rimless or box rim?

A – Rimless.

Q – What finish is the ceramic glaze?

A – White.

Q – What's the maximum test load of the seat?

A – 150kg.