

Wave Standard Height Back To Wall Pan INSWA012L, INSWA003



Seat Specification

Duraplast Quick Release, Soft Close, Seat + Cover (INSWA003)

Finish	White
Dimensions	45(h) x 358(w) x 440(d) mm
Weight	3.1 kg
Seat Hinge Material	Metal / Plastic
Antibacterial Protection	No
Seat Type	Wrap Over
UV Protection	Yes
Max Load Test	150kg
Seat Material	Duraplast

Pan Specification

Standard Height Back To Wall Pan (INSWA012L)

Finish	White
Dimensions	390(h) x 360(w) x 560(d) mm
Weight	28.5kg
Fixing Supplied	Yes
Fixing Exposed or Concealed	Concealed

FAQs

Please see next page

Key Features + Benefits

25	1			
Years Guarantee on Ceramics	Year Guarantee on Seats	Back To Wall Pan	Quick Release Seat	Soft Close Seat

Certifications + Approvals

Imex Ceramics

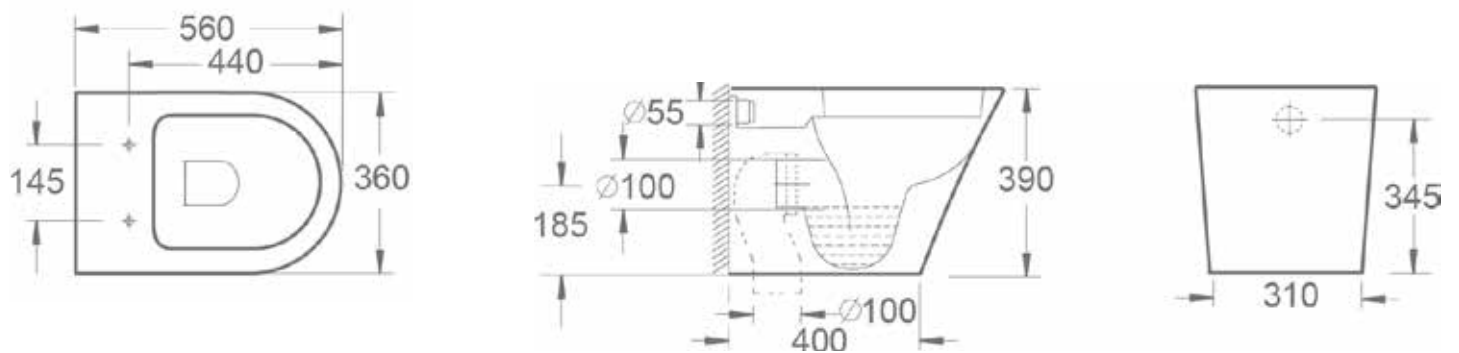
15 Millbrook Industrial Estate, Sybron Way, Crowborough TN6 3DU. Technical Support – Tel: 01530 835598 Email: sales@imexceramic.co.uk

All information on the data sheet is correct at the time of publication. All measurements are approximate and subject to standard tolerances.

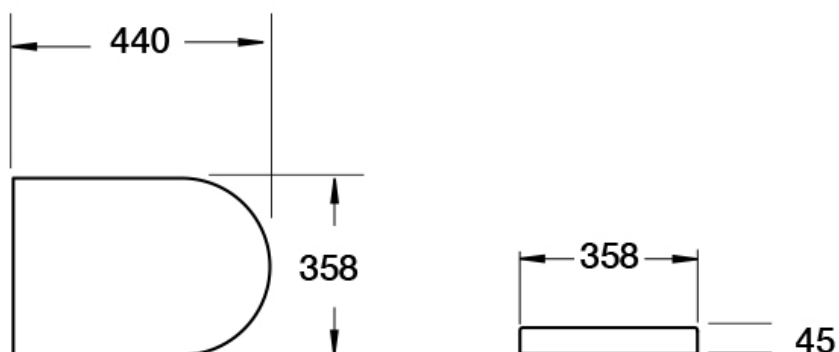
Wave Standard Height Back To Wall Pan

INSWA012L, INSWA003

Pan (INSWA012L)



Seat (INSWA003)



Wave Standard Height Rimless Back To Wall Pan INSWA012L, INSWA003

FAQs

Q – Is this pan rimless or box rim?

A – Box rim.

Q – What finish is the ceramic glaze?

A – White.

Q – What's the maximum test load of the seat?

A – 150kg.