

**TECHNICAL DATA SHEET**

**WAVE 560MM PROJECTION BACK TO WALL PAN**

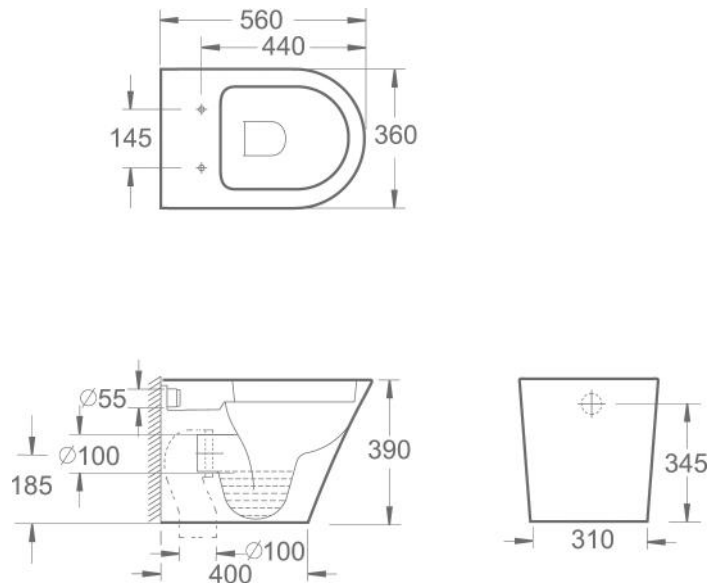
Category: Back to wall pan Weight: 28.5kg

Range: Wave

Guarantee: 25 years manufacturing

Instinct Code: INSWA012L

EAN Code: 5060516863181



Dimensions are in millimetres except thread sizes which are BSP imperial.

**Features**

- CE Approved
- Ceramic composition ensures a clean design and finish

**Notes**

Our guarantee is subject to the product having been installed, used and maintained in accordance with our instructions. All working parts (such as hinges, ceramic disks, cartridges and cistern fittings), which are subject to normal wear and tear, are covered for 36 months from proof of purchase date. This excludes seats and bath seals, which are covered for 12 months. Our guarantee applies to the original purchaser and is nontransferable. Our guarantee is only applicable in the UK and ROI. This does not affect your statutory rights.

Information is provided for guidance only and is non-binding. All measurements are approximate and subject to standard tolerances. We reserve the right to change product specifications without prior notification.