

Wave Standard Height Rimless Closed Back Close Coupled WC Suite INSWA001R, INSWA002R, INSWA003



Cistern Specification

Close Coupled Dual Flush Cistern
(INSWA002R)

Finish	White
Dimensions	400(h) x 360(w) x 160(d) mm
Weight	14kg
Cistern Fitting Manufacturer	R&T
Lever	Push Button
Lever Position	Cistern Lid
Inlet Position (When looking at WC)	Right Hand

Seat Specification

Duraplast Quick Release, Soft Close, Seat + Cover
(INSWA003)

Finish	White
Dimensions	45(h) x 358(w) x 440(d) mm
Weight	3.1 kg
Seat Hinge Material	Metal / Plastic
Antibacterial Protection	No
Seat Type	Wrap Over
UV Protection	Yes
Max Load Test	150kg
Seat Material	Duraplast

Pan Specification

Standard Height Rimless Closed Back Close Coupled Pan
(INSWA001R)

Finish	White
Dimensions	400(h) x 360(w) x 660(d) mm
Weight	31kg
Fixing Supplied	Yes
Fixing Exposed or Concealed	Exposed

FAQs

Please see next page

Key Features + Benefits

25 Years Guarantee on Ceramics	1 Year Guarantee on Seats	3 Years Guarantee on Cistern Components	Closed Back WC Suite	Close Coupled WC Suite	Rimless Pan	Dual Flush Volume 6 Ltr / 4 Ltr	Air Gap Inlet Valve	Quick Release Seat	Soft Close Seat
--	-------------------------------------	---	----------------------	------------------------	-------------	------------------------------------	---------------------	--------------------	-----------------

Certifications + Approvals

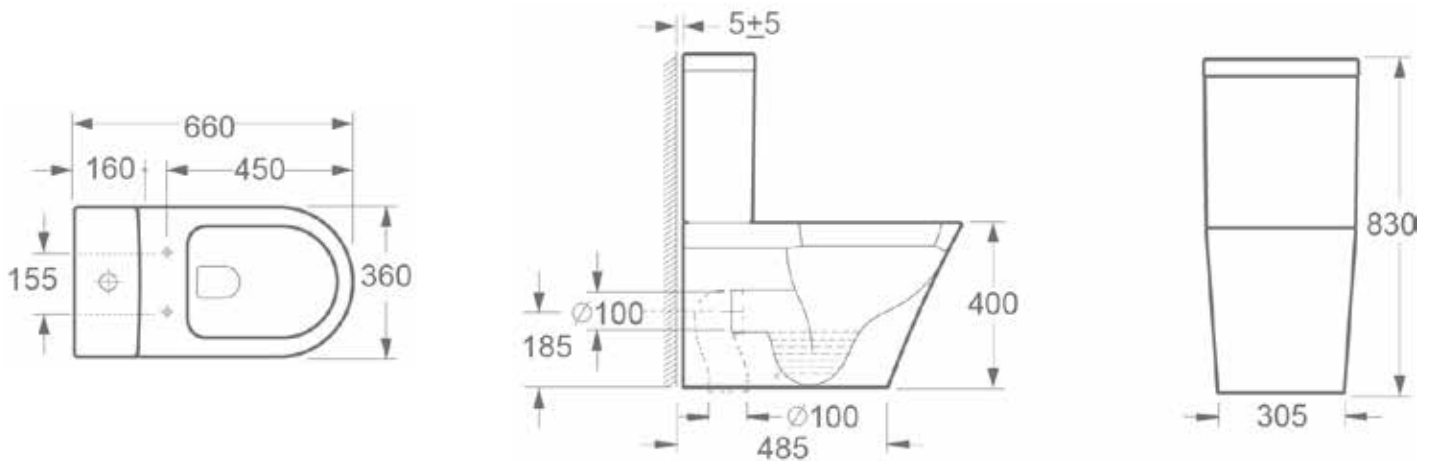
Imex Ceramics

15 Millbrook Industrial Estate, Sybron Way, Crowborough TN6 3DU. Technical Support – Tel: 01530 835598 Email: sales@imexceramic.co.uk

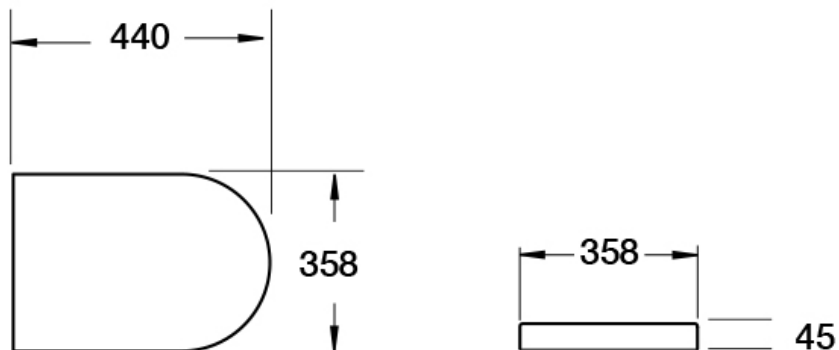
All information on the data sheet is correct at the time of publication. All measurements are approximate and subject to standard tolerances.

Wave Standard Height Rimless Closed Back Close Coupled WC Suite INSWA001R, INSWA002R, INSWA003

Pan (INSWA001R) + Cistern (INSWA002R)



Seat (INSWA003)



Wave Standard Height Rimless Closed Back Close Coupled WC Suite INSWA001R, INSWA002R, INSWA003

FAQs

Q – What is the flush volume?

A – 6/4L.

Q – Is this pan rimless or box rim?

A – Rimless.

Q – What finish is the ceramic glaze?

A – White.

Q – What finish is the flush button supplied with the cistern?

A – Chrome.

Q – Can the flush button be upgraded to a different finish?

A – Yes using INSFMBB (black) or INSFBBB (brushed brass).

Q – Does it have an airgap?

A – Yes.

Q – What's the maximum test load of the seat?

A – 1.50kg.