

Wave Standard Height Short Projection Rimless Open Back Close Coupled WC Suite INSWA001DCR, INSWA002D, INSKN004SLIM



Cistern Specification

Close Coupled Dual Flush Cistern
(INSWA002D)

Finish	White
Dimensions	445(h) x 360(w) x 140(d) mm
Weight	14.3kg
Cistern Fitting Manufacturer	R&T
Lever	Push Button
Lever Position	Cistern Lid
Inlet Position (When looking at WC)	Right Hand

Seat Specification

Duraplast Quick Release, Slimline, Soft Close, Seat + Cover
(INSKN004SLIM)

Finish	White
Dimensions	36.5(h) x 360(w) x 440(d) mm
Weight	2.85kg
Seat Hinge Material	Metal / Plastic
Antibacterial Protection	Yes
Seat Type	Standard
UV Protection	Yes
Max Load Test	150kg
Seat Material	Duraplast

Pan Specification

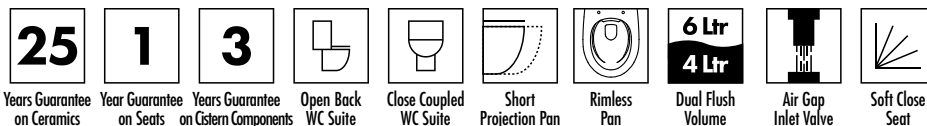
Standard Height Short Projection Rimless Closed Back Close Coupled Pan
(INSWA001DCR)

Finish	White
Dimensions	400(h) x 360(w) x 610(d) mm
Weight	30.5kg
Fixing Supplied	Yes
Fixing Exposed or Concealed	Exposed

FAQs

Please see next page

Key Features + Benefits



Certifications + Approvals

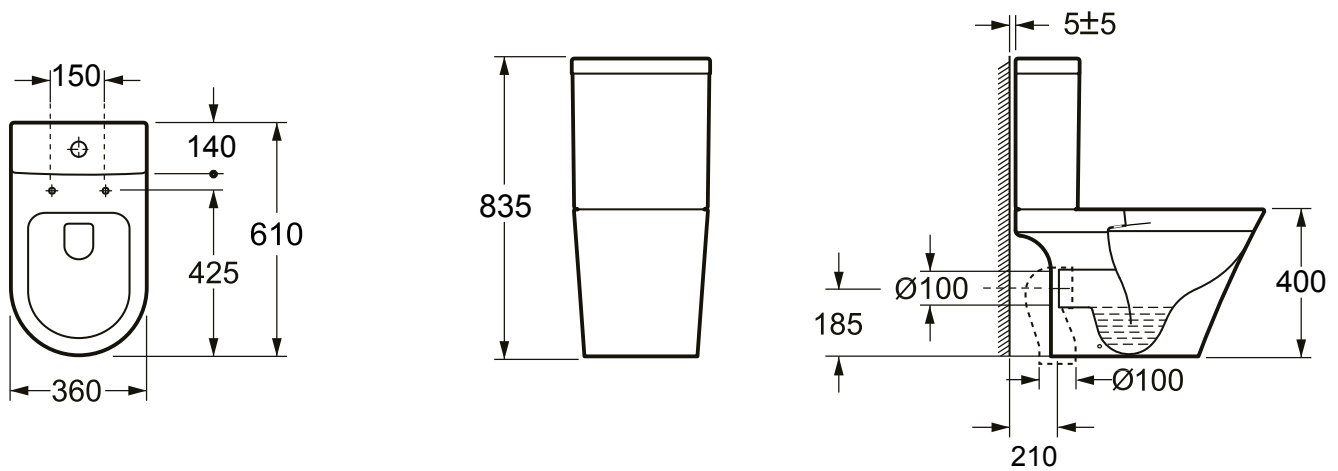
Imex Ceramics

15 Millbrook Industrial Estate, Sybron Way, Crowborough TN6 3DU. Technical Support – Tel: 01530 835598 Email: sales@imexceramic.co.uk

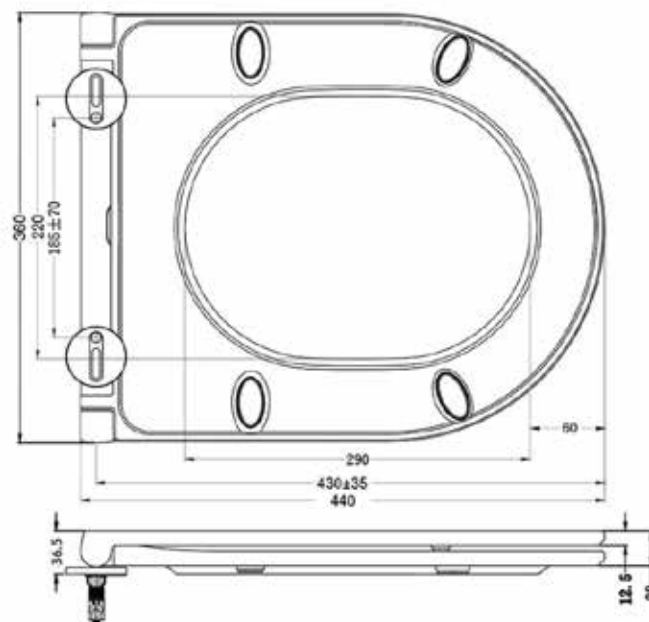
All information on the data sheet is correct at the time of publication. All measurements are approximate and subject to standard tolerances.

Wave Standard Height Short Projection Rimless Open Back Close Coupled WC Suite INSWA001DCR, INSWA002D, INSKN004SLIM

Pan (INSWA001DCR) + Cistern (INSWA002D)



Seat (INSKN004SLIM)



Wave Standard Height Short Projection Rimless Open Back Close Coupled WC Suite INSWA001DCR, INSWA002D, INSKN004SLIM

FAQs

Q – What is the flush volume?

A – 6/4L.

Q – Is this pan rimless or box rim?

A – Rimless.

Q – What finish is the ceramic glaze?

A – White.

Q – What finish is the flush button supplied with the cistern?

A – Chrome.

Q – Can the flush button be upgraded to a different finish?

A – Yes using INSFMBB (black) or INSFBBB (brushed brass).

Q – Does it have an airgap?

A – Yes.

Q – What's the maximum test load of the seat?

A – 1.50kg.