

Instinct 400mm Wall Hung Bidet + WC Frame INST13018

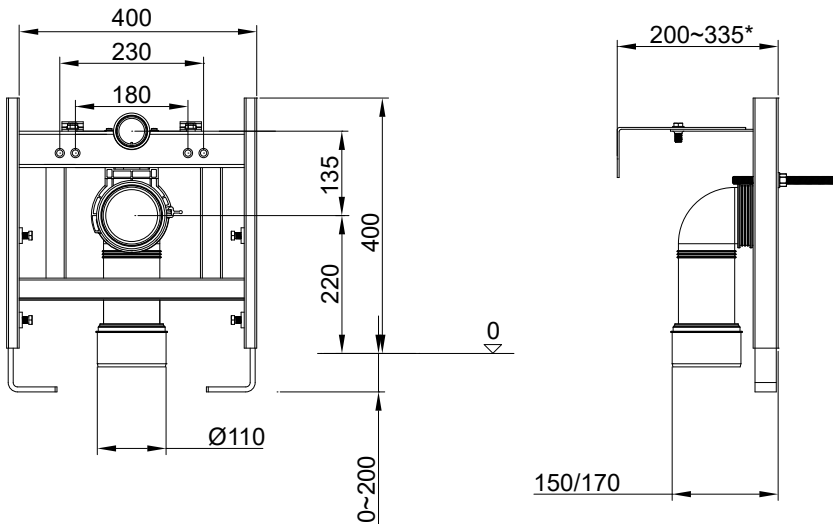


Specification

Finish	Grey
Width	1012(h) x 400(w) x 170(d) mm
Adjustable Depth	170-335mm
Adjustable Leg Height	200mm
Weight	7.465kg
Cistern Fitting Manufacturer	OEM
Airgap	No
Flush Plate / Button Supplied	No
Flush (Single / Dual)	Dual
Flush (Max / Min)	6 / 3L
Inlet Position (When looking at WC)	-

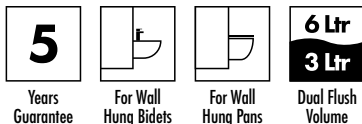
Features

Design	Allows wall hung pans and wall hung bidets to be used in narrow furniture units
Compatibility	Use with INST13001 and INST13008 cisterns
Fixings	Brackets, fixings and 1st fix protective covers included
Flush Plate Mounting	Can be mounted on the front or top of the cistern
Waste Pipe Routing	Waste pipe can be routed out to the side of the frame with a minimum distance of 170mm from wall to the front of the frame



* Depending on bracket combination used

Key Features + Benefits



Certifications + Approvals

Roper Rhodes

Brassmill Lane Trading Estate, Bath, BA1 3JF. Technical Support – Tel: 01225 303 900 Email: sales@roperrhodes.co.uk

All information on the data sheet is correct at the time of publication. All measurements are approximate and subject to standard tolerances.