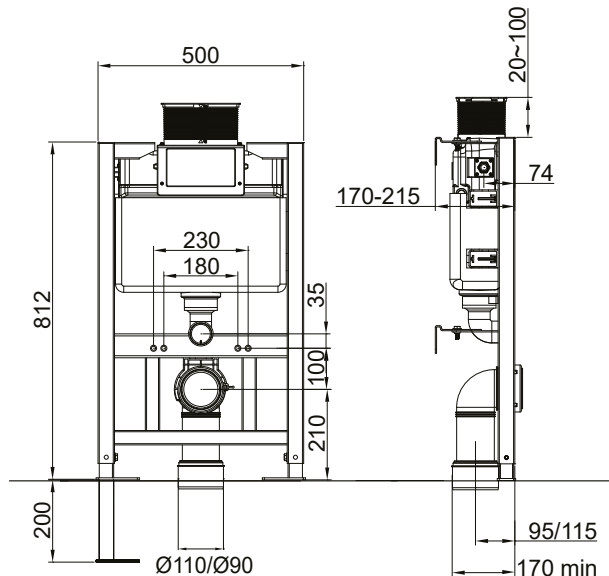


### Instinct 820mm Wall Hung Frame + Cistern INST13005



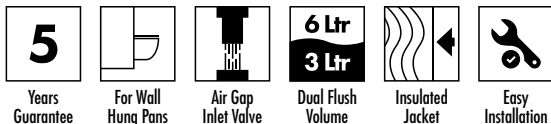
#### Specification

Finish	Black
Dimensions	1012(h) x 500(w) x 215(d) mm
Adjustable Depth	167-215mm
Adjustable Leg Height	200mm
Weight	14.18kg
Cistern Fitting Manufacturer	OEM
Airgap	Yes
Flush Plate / Button Supplied	No
Flush (Single / Dual)	Dual
Flush (Max / Min)	6 / 3L
Inlet Position (When looking at WC)	Side left
Min Operating Pressure	0.2 Bar
Max Operating Pressure	10 Bar

#### Features

Compatibility	For fitted furniture back to wall units and not modular back to wall units
Fixings	Brackets, fixings and 1st fix protective covers included
Flush Plate Mounting	Can be mounted on the front or top of the cistern
Waste Pipe Routing	Waste pipe can be routed out to the side of the frame with a minimum distance of 170mm from wall to the front of the frame
Maintenance	Front access for easy maintenance and installation
Flush Valve	WRAS approved 6/3 Litre pneumatic flush valve
Inlet Valve	WRAS approved side entry ½" (female) inlet valve with Air Gap
Furniture Adaptor Kit	Use the optional Furniture Adaptor Kit (INST13007) when using the frame in furniture installations
Pan Installation Height	If the frame is set at 812mm, the pan should be approximately 410mm above the floor
Insulation	Insulated polystyrene anti-condensation jacket

#### Key Features + Benefits



#### Certifications + Approvals

#### Roper Rhodes

Brassmill Lane Trading Estate, Bath, BA1 3JF. Technical Support – Tel: 01225 303 900 Email: sales@roperrhodes.co.uk

All information on the data sheet is correct at the time of publication. All measurements are approximate and subject to standard tolerances.