

Technical Data Sheet | Bathroom Tap

www.instinctproducts.co.uk

Tummel Bath Shower Mixer + Kit (Two Taphole) INSEG1004P



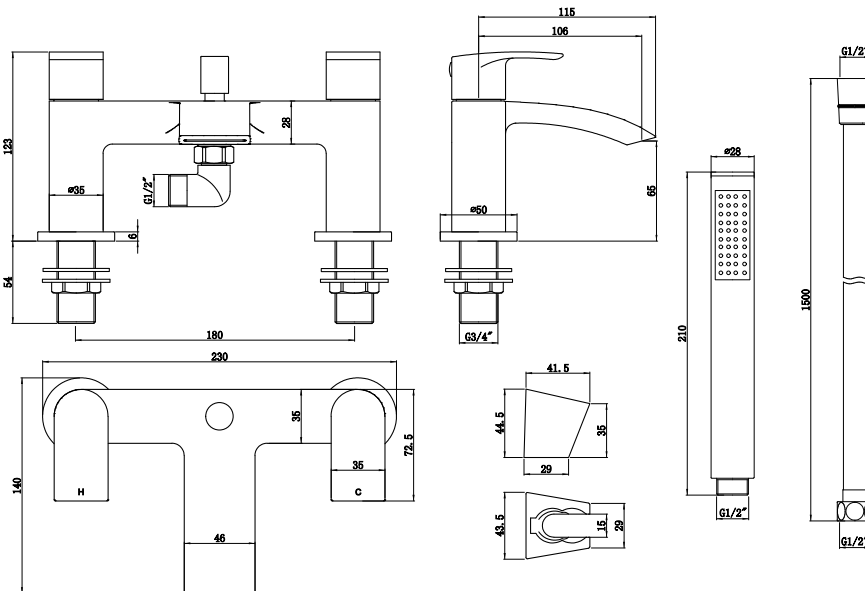
Specification

Finish	Matt Black
Dimensions	123(h) x 230(w) x 140(d) mm
Weight	2.013kg
Body	Brass
Spout Material	Brass
Fittings	Plastic Backnut + Washer
Connection	¾" BSP Threaded Tail
Cartridge Size	G ¾"
Flow Restrictor	No
Max Static Pressure	10 Bar
Min Operating Pressure	0.2 Bar
Max Operating Pressure	5 Bar
Max Water Temperature	-

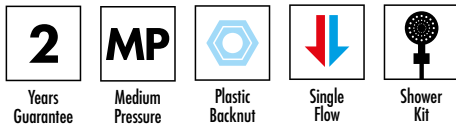
Flow Rates

Pressure	0.2	0.5	1	3
	4.6	12.4	19.8	40.7

All Pressures in Bar. All flow in L/Min. Dimensions supplied are nominal and subject to tolerance. Inclusion or restrictors (sold separately unless stated) will affect flow rate result. Performance details are based on trials under test conditions and for guidance only. The Company reserves the right to change product specification without prior notice.



Key Features + Benefits



Certifications + Approvals

Flow Rate – 12.4 l/min

Tested at 0.5 Bar

Highlife Bathrooms

Kelvin Industrial Estate, Unit A, 1 Young Place, East Kilbride, Glasgow G75 0TD. Technical Support – Tel: 01355 241111 Email: sales@highlifebathrooms.com

All information on the data sheet is correct at the time of publication. All measurements are approximate and subject to standard tolerances.