

INSTINCT® | PRO

**Tap + Mixer
Installation Instructions**

www.instinctproducts.co.uk

About Installation

Care must be taken during installation to prevent damage to the product or injury to the installer.

Installation must be carried out by a qualified and competent person, and in accordance with the instructions supplied with the product.

All installations must comply with Local and National regulations.

Please ensure that you have read and understood all sections of this guide BEFORE installation.

Water Regulations

Although this product has been designed for use in all types of systems, the water supply to your taps must be connected in accordance with the water regulations, and good plumbing practice.

We recommend that hot and cold water supplies to the tap are at equal pressure, in order to give consistent flow. If this is not possible, non-return valves must be fitted to both supplies in accordance with current Water Regulations. These recommendations apply to both mains and tank fed systems.

Flushing

The water regulations requires fittings to be flushed before first use. We recommend that supplies are thoroughly flushed to remove debris BEFORE making any pipe connection to the tap. Failure to do so could result in damage to the product or unsatisfactory performance.

Water Pressure

Models are advertised as suitable for either Low, Medium or High pressure.

Low pressure models suitable for 0.1 bar+

Medium pressure models suitable for 0.5 bar+

High pressure models are suitable for 1bar+

At high pressure, excessive flow may be reduced by fitting Flow Restrictors. Fitting a Stop Valve or Service Valve in the pipework will allow your tap to be conveniently isolated for maintenance.

Note: Models are supplied with either aerator, flow straightener or open spout for controlled flow.

Some open spout models are supplied with flow restrictors for fitment on hose inlet to restrict flow at higher pressures (1bar+ recommended) for pleasant stream.

Flow restrictors or alternative outlets can be purchased seperatly if required.

Prior to Installation

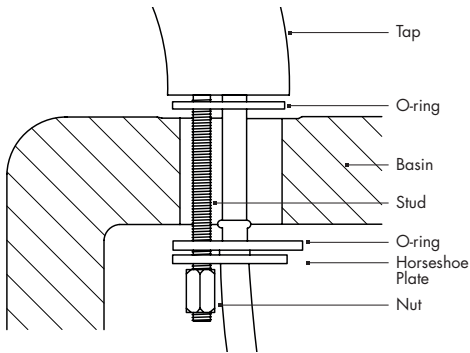
1. Check that the supplied product is correct and complete and has no surface damage
2. Ensure that all existing pipe work has been flushed and that the pipe work is prepared for the installation of your new tap
3. Isolate the water supply by closing the stop cock or isolating valves

Important – Care & Maintenance

1. Chrome surface should only be cleaned using a soft non abrasive cloth and clean water. Mild detergent can be used to clean
2. Never use household cleaners which contain bleach or abrasive cleaners

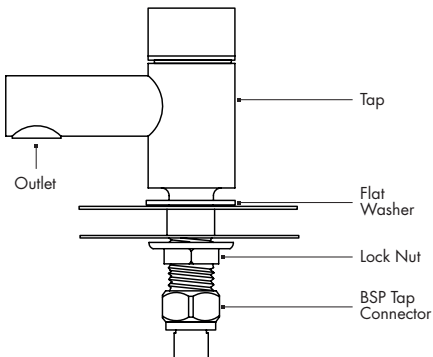
Mono Basin

1. Fit the O-ring to the base on the tap. Some of the models also have a base plate.
2. Screw the stud into the base of the tap, securing tightly
3. Fit the two braided hoses to the base of the tap securing tightly. Do not overtighten.
4. Feed the braided hoses through the tap hole in the basin and place the tap on the basin ensuring the seal between the tap and the basin is sitting correctly.
5. Fit the second O-ring and the horseshoe plate onto the stud and secure with the hexagon nut. Tighten to ensure the two silicon seals are compressed and the tap cannot move.
6. Connect the two braided hoses to your water supply ensuring hot and cold are connected correctly.
7. Test for leaks and tighten as necessary.



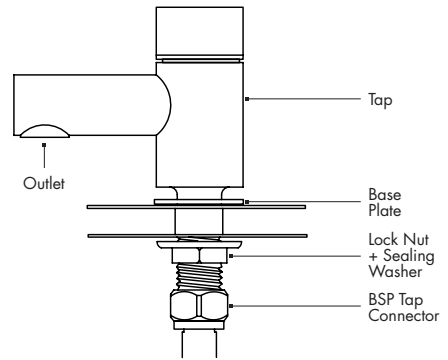
Pillar Taps

1. Fit the flat washer to the base of the taps and fit to the basin ensuring hot and cold taps are correctly positioned. Secure with hexagon locking nut.
2. Connect the water supply to the threaded tails ensuring hot and cold is connected correctly.
3. Test for leaks and tighten as necessary.



Bath Filler

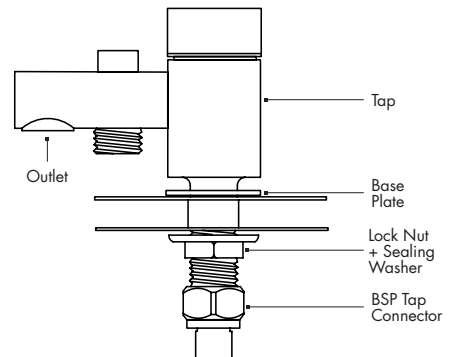
1. Fit two sealing washers to the hot and cold threaded tails on the bath filler.
2. Position the bath filler onto the bath ensuring that the seal are located correctly. Some models also have base plate.
3. Fit two sealing washers and lock nuts to the threaded tail on the underside of the bath and secure tightly ensuring the sealing washers are compressed and the tap cannot move.
4. Connect the hot and cold water supplied to the two 3/4" threaded tails ensuring hot and cold is connected correctly.
5. Test for leaks and tighten as necessary.



Bath + Shower Mixer

Follow the instructions for fitting the bath filler and then –

1. Connect the supplied shower hose to the threaded connector on the bath & shower mixer nozzle and secure the handset to the other end of the hose.
2. Position and fasten the wall bracket in the required position.
3. Test for leaks and tighten as necessary.



INSTINCT® | PRO

Product Support

T: 02891 828000 (Technical Support)

E: support@aquallabrassware.com

www.instinctproducts.co.uk