

Tulla Short Projection Rimless Wall Hung Pan INSTU001HR, INSTU004



Seat Specification

Duraplast Quick Release, Soft Close, Seat + Cover (INSTU004)

Finish	White
Dimensions	40(h) x 362(w) x 435(d) mm
Weight	1.74kg
Seat Hinge Material	Metal / Plastic
Antibacterial Protection	Yes
Seat Type	Standard
UV Protection	Yes
Max Load Test	150kg
Seat Material	Duraplast

Pan Specification

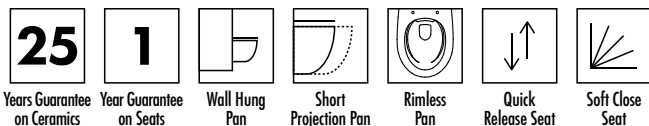
Short Projection Rimless Wall Hung Pan (INSTU001HR)

Finish	White
Dimensions	400(h) x 355(w) x 500(d) mm
Weight	18kg
Fixing Supplied	Yes
Fixing Exposed or Concealed	Exposed

FAQs

Please see next page

Key Features + Benefits



Imex Ceramics

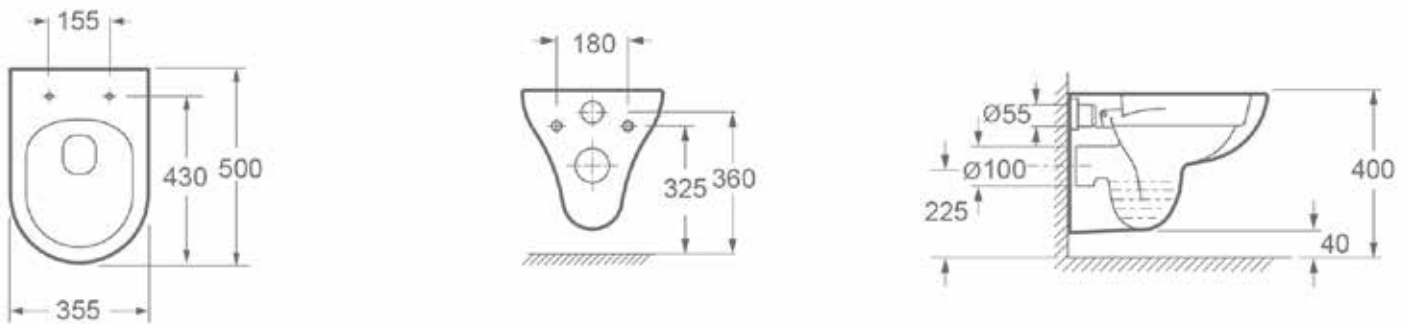
15 Millbrook Industrial Estate, Sybron Way, Crowborough TN6 3DU. Technical Support – Tel: 01530 835598 Email: sales@imexceramic.co.uk

All information on the data sheet is correct at the time of publication. All measurements are approximate and subject to standard tolerances.

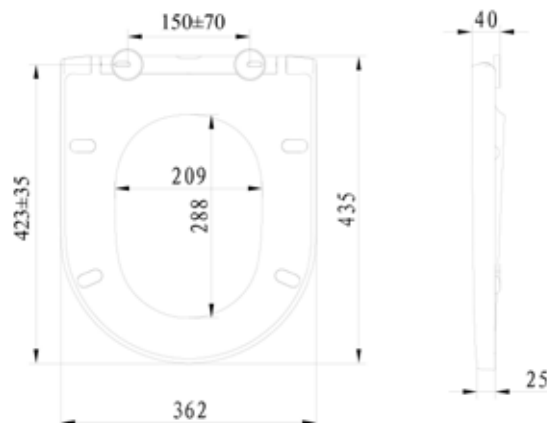
Certifications + Approvals

Tulla Short Projection Rimless Wall Hung Pan INSTU001HR, INSTU004

Pan (INSTU001HR)



Seat (INSTU004)



Tulla Short Projection Rimless Wall Hung Pan INSTU001HR, INSTU004

FAQs

Q – Is this pan rimless or box rim?

A – Rimless.

Q – What finish is the ceramic glaze?

A – White.

Q – What's the maximum test load of the seat?

A – 1.50kg.