

### Tulla Standard Height Rimless Back To Wall Pan INSTU001BR, INSTU004



#### Seat Specification

Duraplast Quick Release, Soft Close, Seat + Cover (INSTU004)

Finish	White
Dimensions	40(h) x 362(w) x 435(d) mm
Weight	1.74kg
Seat Hinge Material	Metal / Plastic
Antibacterial Protection	Yes
Seat Type	Standard
UV Protection	Yes
Max Load Test	150kg
Seat Material	Duraplast

#### Pan Specification

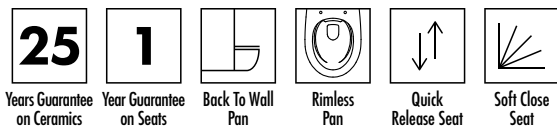
Standard Height Rimless Back To Wall Pan (INSTU001BR)

Finish	White
Dimensions	400(h) x 355(w) x 520(d) mm
Weight	28kg
Fixing Supplied	Yes
Fixing Exposed or Concealed	Concealed

#### FAQs

Please see next page

#### Key Features + Benefits



Years Guarantee on Ceramics    Year Guarantee on Seats    Back To Wall Pan    Rimless Pan    Quick Release Seat    Soft Close Seat

#### Certifications + Approvals

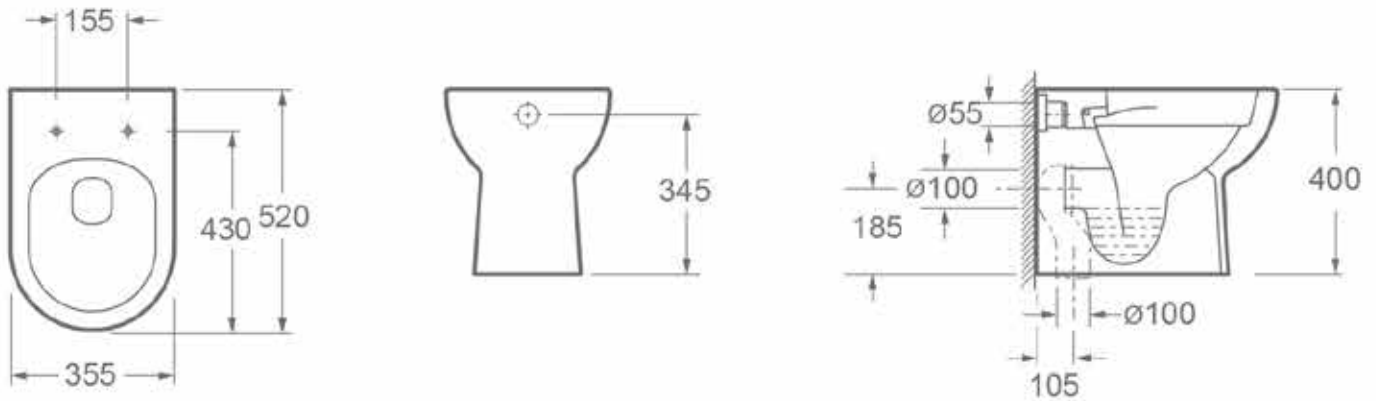
#### Imex Ceramics

15 Millbrook Industrial Estate, Sybron Way, Crowborough TN6 3DU. Technical Support – Tel: 01530 835598 Email: sales@imexceramic.co.uk

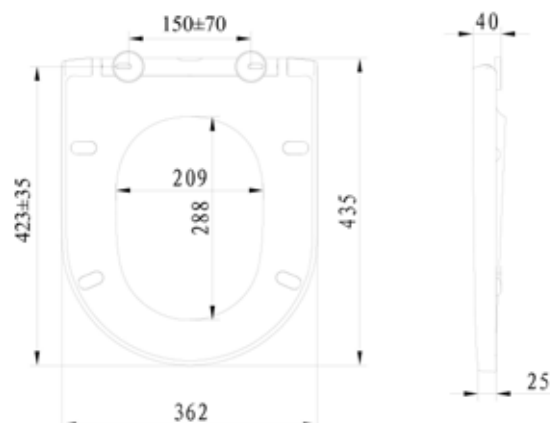
All information on the data sheet is correct at the time of publication. All measurements are approximate and subject to standard tolerances.

### Tulla Standard Height Rimless Back To Wall Pan INSTU001BR, INSTU004

#### Pan (INSTU001BR)



#### Seat (INSTU004)



### Tulla Standard Height Rimless Back To Wall Pan INSTU001BR, INSTU004

#### FAQs

**Q – Is this pan rimless or box rim?**

A – Rimless.

**Q – What finish is the ceramic glaze?**

A – White.

**Q – What's the maximum test load of the seat?**

A – 150kg.