

Tulla Comfort Height Short Projection Rimless Open Back Close Coupled WC Suite INSTU001AR, INSTU002, INSTU004



Cistern Specification

Close Coupled Dual Flush Cistern (INSTU002)

Finish	White
Dimensions	400(h) x 355(w) x 142(d) mm
Weight	14.5kg
Cistern Fitting Manufacturer	R&T
Lever	Push Button
Lever Position	Cistern Lid
Inlet Position (When looking at WC)	Right Hand

Seat Specification

Duraplast Quick Release, Soft Close, Seat + Cover (INSTU004)

Finish	White
Dimensions	40(h) x 362(w) x 435(d) mm
Weight	1.74kg
Seat Hinge Material	Metal / Plastic
Antibacterial Protection	Yes
Seat Type	Standard
UV Protection	Yes
Max Load Test	150kg
Seat Material	Duraplast

Pan Specification

Comfort Height Short Projection Rimless Open Back Close Coupled Pan (INSTU001AR)

Finish	White
Dimensions	450(h) x 355(w) x 620(d) mm
Weight	24.5kg
Fixing Supplied	Yes
Fixing Exposed or Concealed	Concealed

FAQs

Please see next page

Key Features + Benefits

25	1	3							
Years Guarantee on Ceramics	Year Guarantee on Seats	Years Guarantee on Cistern Components	Open Back WC Suite	Close Coupled WC Suite	Comfort Height Pan	Short Projection Pan	Rimless Pan	Dual Flush Volume	Soft Close Seat

Certifications + Approvals

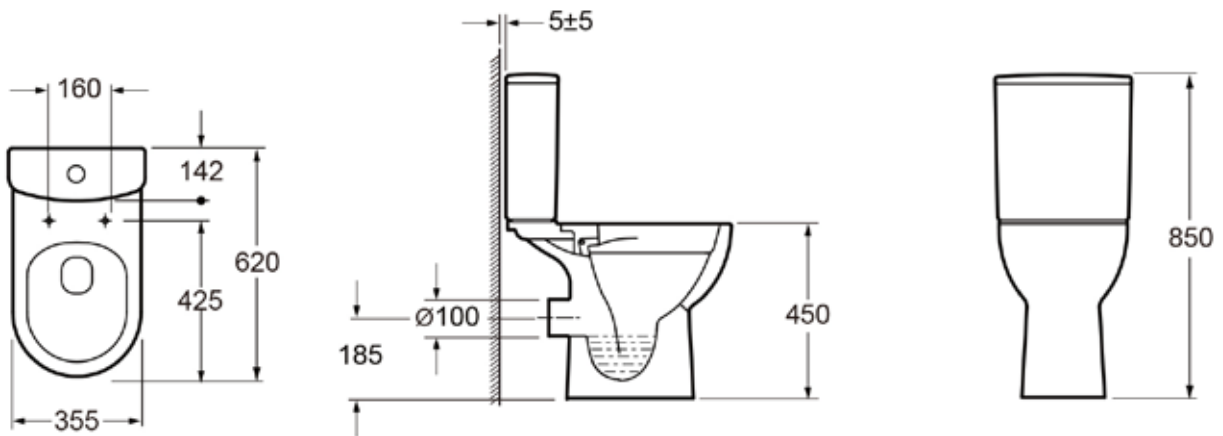
Imex Ceramics

15 Millbrook Industrial Estate, Sybron Way, Crowborough TN6 3DU. Technical Support – Tel: 01530 835598 Email: sales@imexceramic.co.uk

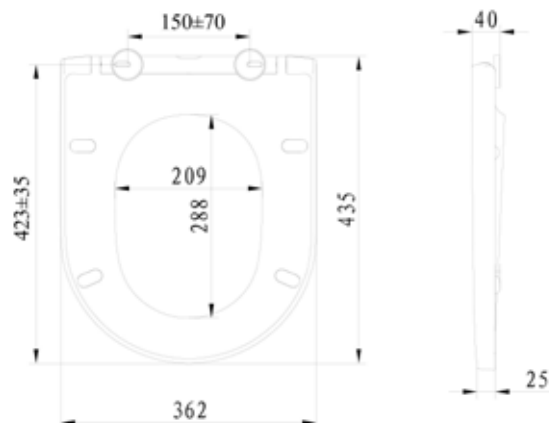
All information on the data sheet is correct at the time of publication. All measurements are approximate and subject to standard tolerances.

Tulla Comfort Height Short Projection Rimless Open Back Close Coupled WC Suite INSTU001AR, INSTU002, INSTU004

Pan (INSTU001AR) + Cistern (INSTU002)



Seat (INSTU004)



Tulla Comfort Height Short Projection Rimless Open Back Close Coupled WC Suite INSTU001AR, INSTU002, INSTU004

FAQs

Q – What is the flush volume?

A – 6/4L. Eco flush 4/2.6L.

Q – Is this pan rimless or box rim?

A – Rimless.

Q – What finish is the ceramic glaze?

A – White.

Q – What finish is the flush button supplied with the cistern?

A – Chrome.

Q – Can the flush button be upgraded to a different finish?

A – Yes using INSFMBB (black) or INSFBBB (brushed brass).

Q – Does it have an airgap?

A – Yes.

Q – What's the maximum test load of the seat?

A – 1.50kg.