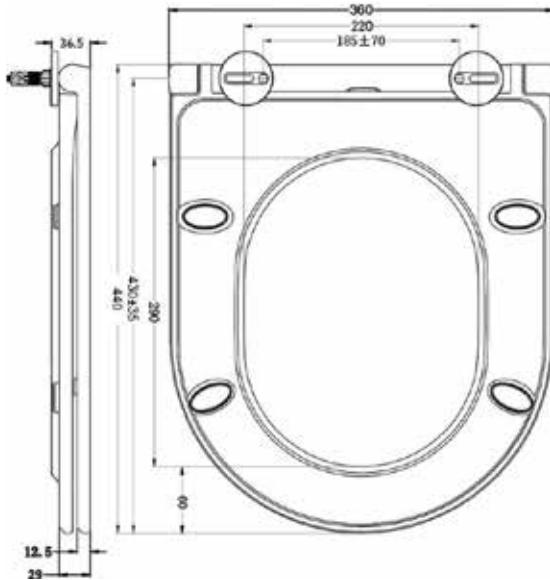


Tulla Duraplast Soft Close, Slimline, Quick Release, Seat + Cover INSKN004SLIM



Specification

Finish	White
Dimensions	36.5(h) x 360(w) x 440(d) mm
Weight	2.85kg
Seat Hinge Material	Metal / Plastic
Antibacterial Protection	Yes
Seat Type	Standard
UV Protection	Yes
Max Load Test	150kg
Seat Material	Duraplast



Key Features + Benefits



Year
Guarantee



Quick Release
Seat



Soft Close
Seat

Certifications + Approvals

Imex Ceramics

15 Millbrook Industrial Estate, Sybron Way, Crowborough TN6 3DU. Technical Support – Tel: 01530 835598 Email: sales@imexceramic.co.uk

All information on the data sheet is correct at the time of publication. All measurements are approximate and subject to standard tolerances.