

Tulla 560mm One Taphole Basin (Full Pedestal) INSEC005, INSEC009



Basin Specification

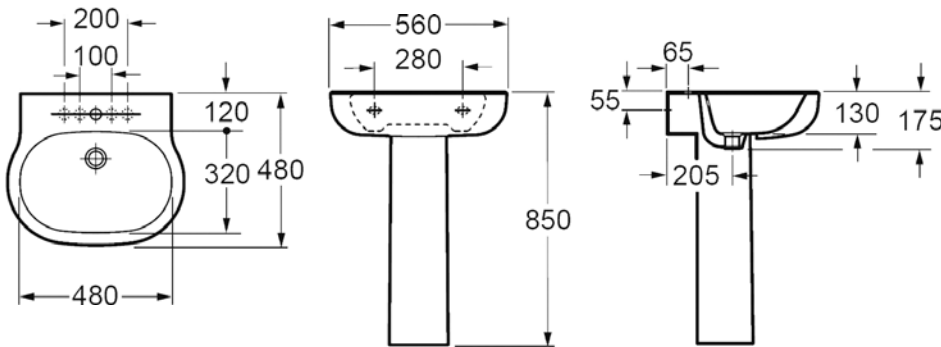
560mm One Taphole Basin
(INSEC005)

Finish	White
Dimensions	175(h) x 480(w) x 480(d) mm
Weight	16kg
Basin Material	Ceramic
Overflow	Yes
Chainstay Hole	No
Taphole Positioning	Centre
Tap	Not Included

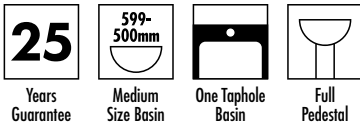
Pedestal Specification

Full Pedestal
(INSEC009)

Finish	White
Dimensions	720(h) x 185(w) x 195(d) mm
Weight	12.6kg
Pedestal Material	Ceramic



Key Features + Benefits



Certifications + Approvals

Imex Ceramics

15 Millbrook Industrial Estate, Sybron Way, Crowborough TN6 3DU. Technical Support – Tel: 01530 835598 Email: sales@imexceramic.co.uk

All information on the data sheet is correct at the time of publication. All measurements are approximate and subject to standard tolerances.