

## Technical Data Sheet | Toilet Seats

www.instinctproducts.co.uk

### Traditional Natural Oak, Soft Close, Seat & Cover 8081NOSC-SF



#### Specification

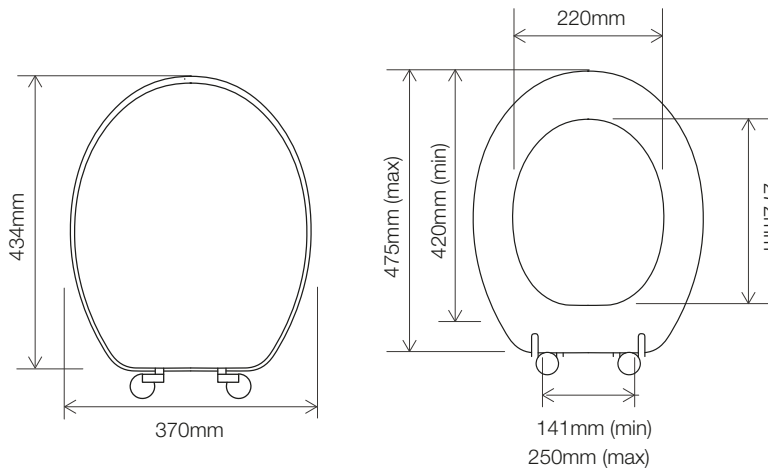
Finish	Natural Oak (Made of solid wood)
Dimensions	62(h) x 370(w) x 434(d) mm
Weight	3.5kg
Seat Hinge Material	Chrome Plated Zinc Alloy/ Stainless Steel Cover Plate
Hinge Type	Soft close
Hinge Fixing Type	Quick release, Top Fix and Underfix, Secure-Fix QR
Antibacterial Protection	No
Seat Type	Sandwich
UV Protection	-
Max Load Test	150kg
Seat Material	Wood

#### Spares

Soft Close Hinges (Pair)	SP14430
Secure Fix Hinge Fixing Pack	SP19733
Secure Fix Template	SP19749
Ring Buffer	SP10539
Lid Buffer	SP10536

#### FAQs

Please see next page



#### Extra Dimensions

Seat/Lid Front to Back – 434mm  
 Seat/Lid Left to Right – 370mm  
 Ring Hole Front to Back – 272mm  
 Ring Hole Left to Right – 220mm  
 Seat Overall Thickness – 20mm  
 Min/Max Adjustment for Fixings –  
 141/250, 420/475mm

#### Key Features + Benefits



5  
Years  
Guarantee



Quick  
Release



Top Fix  
Hinges



Soft Close  
Seat

Secure-Fix **QR**

#### Certifications + Approvals

#### Roper Rhodes

Brassmill Lane Trading Estate, Bath, BA1 3JF. Technical Support – Tel: 01225 303 900 Email: sales@roperrhodes.co.uk

All information on the data sheet is correct at the time of publication. All measurements are approximate and subject to standard tolerances.

## Technical Data Sheet | Toilet Seats

### Traditional Natural Oak, Soft Close, Seat & Cover 8081NOSC-SF

#### FAQs

**Q – What's the maximum test load of the seat?**

A – 150kg.

**Q – What are the fixings made from?**

A – Chrome plated zinc alloy/stainless steel cover plate.

**Q – What is the substrate?**

A – Solid white oak.