

Technical Data Sheet | Toilet Seats

www.instinctproducts.co.uk

Tahiti Moulded Wood, Soft Close, Seat & Cover INST03006

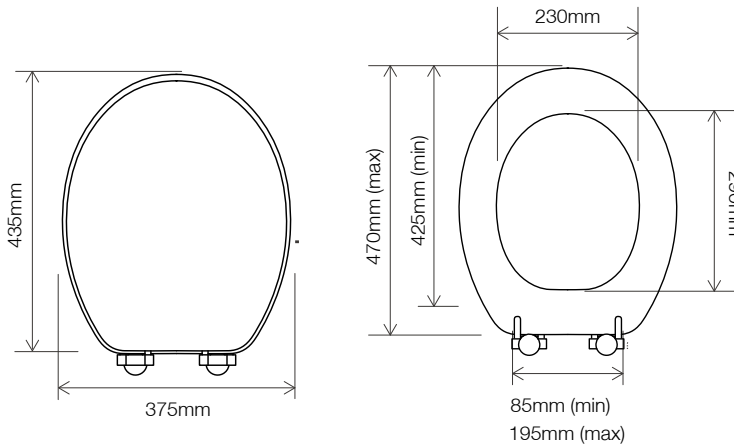


Specification

Finish	White
Dimensions	53(h) x 375(w) x 435(d) mm
Weight	4.0kg
Seat Hinge Material	Chrome Plated Zinc Alloy/ Stainless Steel Cover Plate
Hinge Type	Soft Close
Hinge Fixing Type	Standard, Underfix
Antibacterial Protection	No
Seat Type	Sandwich
UV Protection	-
Max Load Test	150kg
Seat Material	Moulded Wood

Spares

Hinge Assembly	SP13537
Hinge Fixings	SP15280
Lid Buffers	SP10530
Ring Buffers	SP10529



Extra Dimensions

Seat/Lid Front to Back – 435mm
 Seat/Lid Left to Right – 375mm
 Ring Hole Front to Back – 290mm
 Ring Hole Left to Right – 230mm
 Seat Overall Thickness – 53mm
 Width of Back of Seat – 240mm
 Min/Max Adjustment for Fixings –
 135/175, 400/440mm

Key Features + Benefits



Years
Guarantee



Soft Close
Seat

Certifications + Approvals

Roper Rhodes

Brassmill Lane Trading Estate, Bath, BA1 3JF. Technical Support – Tel: 01225 303 900 Email: sales@roperrhodes.co.uk

All information on the data sheet is correct at the time of publication. All measurements are approximate and subject to standard tolerances.