

Technical Data Sheet | Thermostatic Radiator Valve (TRV)

www.instinctproducts.co.uk

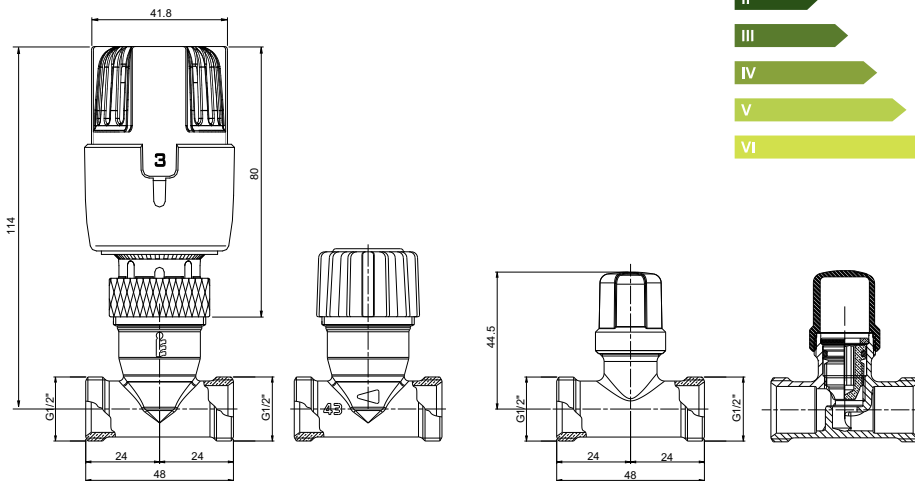
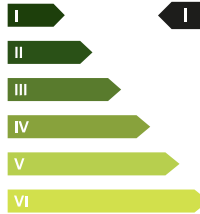
15mm Straight Thermostatic Radiator Valve (Twin Pack) 15PACKSWHCP.1



Specification

Finish	Chrome / White
Dimensions	124(h) x 85(w) x 48(d) mm
Weight	0.45kg
Max Flow Temperature	110°C
Max. Working Pressure	10 Bar
Min. Regulation Calibration (Anti-Frost Position)	7°C
Maximum Regulation Calibration (Position)	30°C
Saving Condition (Position)	20°C
Max. Exercise Pressure	1000 KPa
Max. Differential Pressure	100 KPa
Min. Nominal Flow Rate "qm N" (DP=0.1 Bar) angle-straight	200-220 ltrs/h
Max. Storage Temperature	50°C
Hysteresis	0.4 K
Authority	0.9
Feedback	25 min
Differential Pressure Influence	0.3 K
Water Temperature Influence	1 K
Thermostatic Valve Supplied with Manual Regulating Wheel (Turning)	60°≈1 K

Energy



Key Features + Benefits

1 Year Guarantee	Max 110°C Max. Flow Temperature	Max 10 Bar Max. Operating Pressure
----------------------------	---	--

Standards

Keymark Approved BS EN 215:2019

Features

- Class I efficient thermostatic radiator valve
- Liquid filled sensor
- Control range 0 - 30°C
- Anti dirt trap minimalistic design
- Frost protection setting
- Anti chatter cartridge
- Fully bi-directional

Certifications + Accreditations



28