

Technical Data Sheet | Thermostatic Radiator Valve (TRV)

www.instinctproducts.co.uk

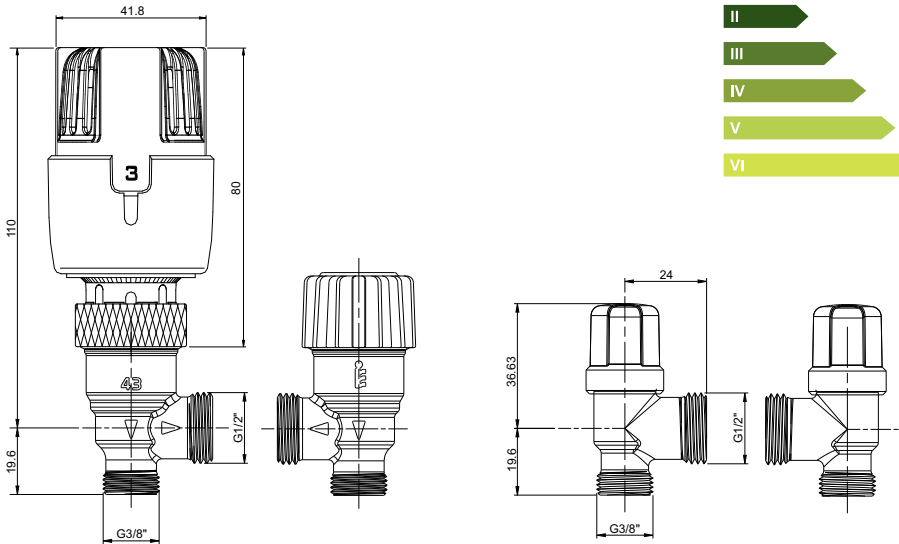
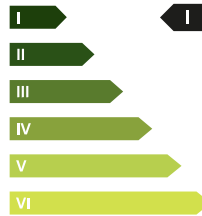
10mm Angled Thermostatic Radiator Valve Lockshield (Twin Pack) 108TWINA10



Specification

| | |
|--|---------------------------|
| Finish | Chrome / White |
| Dimensions | 140(h) x 76(w) x 48(d) mm |
| Weight | 0.45kg |
| Max Flow Temperature | 110°C |
| Max. Working Pressure | 10 Bar |
| Min. Regulation Calibration (Anti-Frost Position) | 7°C |
| Maximum Regulation Calibration (Position) | 30°C |
| Saving Condition (Position) | 20°C |
| Max. Exercise Pressure | 1000 KPa |
| Max. Differential Pressure (Direction of Delivery) | 100 KPa |
| Max. Differential Pressure (Direction of Return) | 60 KPa |
| Min. Nominal Flow Rate "qm N" (DP=0.1 Bar) angle-straight DN15 | 200-220 ltrs/h |
| Min. Nominal Flow Rate "qm N" (DP=0.1 Bar) angled DN10 | 210 ltrs/h |
| Control Accuracy According to BS EN 215 - For Valves with Brass Cap Unit | 0.6 K |
| Hysteresis | 0.3 K |
| Authority | 0.9 |
| Feedback | 25 min |
| Differential Pressure Influence | 0.2 K |
| Water Temperature Influence | 1 K |
| Thermostatic Valve Supplied with Manual Regulating Wheel (Turning) | 60°±1 K |

Energy



Key Features + Benefits

| | | |
|----------------------------|---|--|
| 1 Year Guarantee | Max 110°C Max. Flow Temperature | Max 10 Bar Max. Operating Pressure |
|----------------------------|---|--|

Standards

Keymark Approved BS EN 215:2019

Features

- Class I efficient thermostatic radiator valve
- Liquid filled sensor
- Control range 0 - 30°C
- Anti dirt trap minimalistic design
- Frost protection setting

Certifications + Accreditations



28