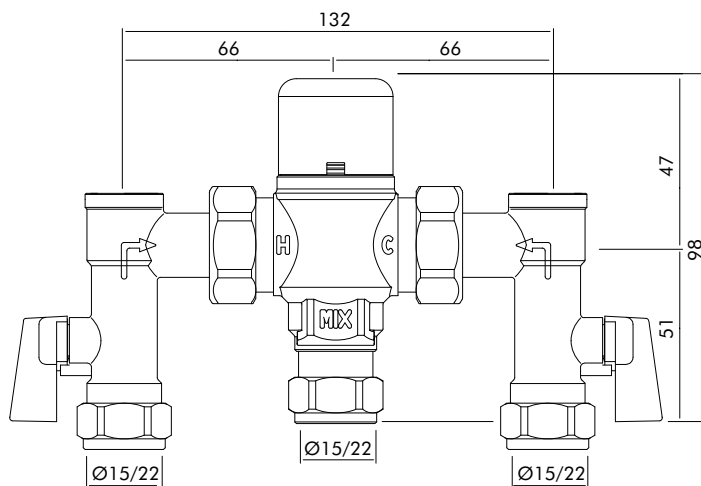


## Technical Data Sheet | Thermostatic Mixing Valve (TMV)

www.instinctproducts.co.uk

### 15 / 22mm TMV2 / 3 Thermostatic Mixing Valve (Isolators) 400MX15CBA, 400MX22CBA



#### Specification

Finish	Chrome
Dimensions	98(h) x 132(w) mm (15mm – 400MX15CBA) 98(h) x 132(w) mm (22mm – 400MX22CBA)
Weight	0.65kg (15mm – 400MX15CBA) 0.75kg (22mm – 400MX22CBA)
Temperature Adjustment Range	30 - 50°C
Temperature Stability	+/-2°C
Max. Inlet Temperature	85°C
Min. Working Pressure	0.2 Bar
Max. Working Pressure	10 Bar
Max Pressure Differential	5:1
Min. Temperature Differential Between Hot Inlet + Mixed Outlet to Achieve Cold Water Failsafe	10°C
Anti Scald	Yes

#### Standards

TMV2 Approved	Complies with – BSEN1111 BSEN1287: 2017
TMV3 Approved	Complies with – NHS Estate D08 BS7942: 2011
Building Regulations	Part G compliant
WRAS Approved	Yes

#### Features

- One valve to suit all applications
- High flow rates with low pressure drops
- One piece cartridge construction for ease of maintenance
- Robust and reliable
- Integral check valves and strainers
- Available with isolation ball valves and test ports
- Highly resistant to scaling
- Anti tamper proof head

#### Key Features + Benefits

<b>1</b> Year Guarantee	<b>50° 30°</b> Temperature Adjustment	<b>Max 85°C</b> Max. Flow Temperature	<b>Min 0.2 Bar</b> Min. Operating Pressure	<b>Max 10 Bar</b> Max. Operating Pressure	<b>Anti Scald</b>	<b>Easy Installation</b>
----------------------------	--	--	---	--	-------------------	--------------------------

#### Certifications + Accreditations

