

Supreme 2 LED Illuminated Mirror INST05055, INST05056



Specification

	INST05055 (700x500mm)	INST05056 (800x600mm)
Finish	White	White
Dimensions	700(h) x 500(w) x 30(d) mm	800(h) x 600(w) x 30(d) mm
Weight	6.4kg	7.6kg
Lighting Type	LED	LED
Colour Changing Technology (CCT)	Yes	Yes
Switch Location	Front	Front
Surface/Recess Fitting	Surface	Surface
Carcass/Frame Construction Material	Aluminium	Aluminium
Glass Thickness	5mm	5mm



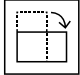
Features

Touch Controls	Double tap to change lighting colours, press and hold to dim lights
Lighting	LED illumination, preset LED colour settings
Hanging	Can be hung portrait or landscape

FAQs

Please see following pages

Key Features + Benefits

5 Years Guarantee	2 Years Guarantee Electrical Components	IP44 IP44 Rated	LED LED Lighting	CCT CCT Control Lighting	 Touch Controls
 Heated Demister Pad	 Portrait or Landscape Hanging				

Certifications + Accreditations

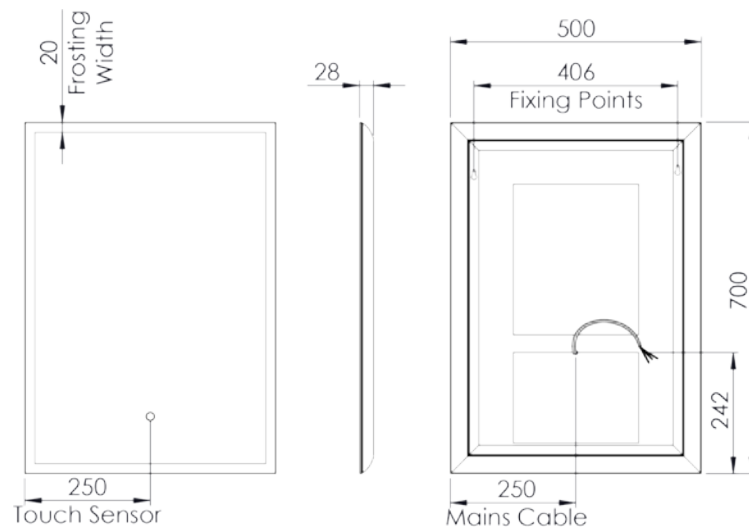
Roper Rhodes

Brassmill Lane Trading Estate, Bath, BA1 3JF. Technical Support – Tel: 01225 303 900 Email: sales@roperrhodes.co.uk

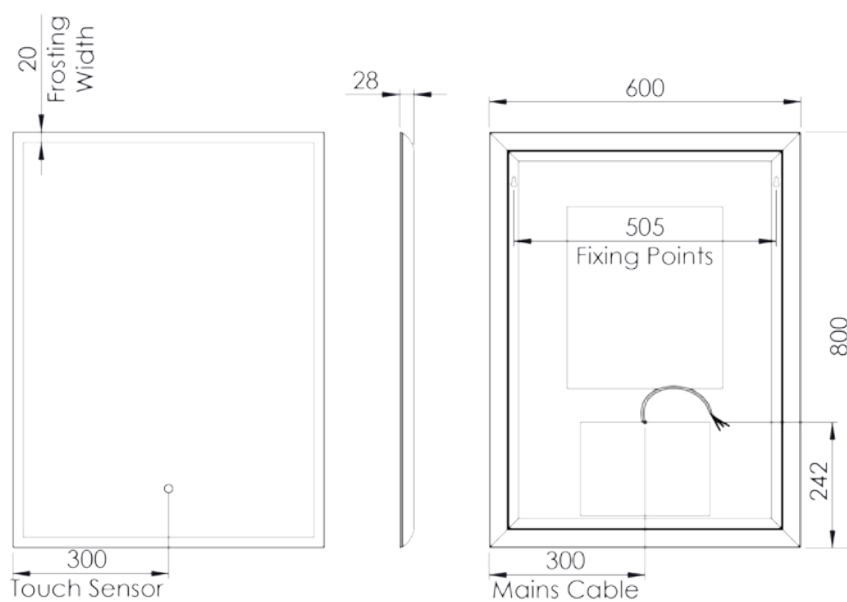
All information on the data sheet is correct at the time of publication. All measurements are approximate and subject to standard tolerances.

Supreme 2 LED Illuminated Mirror INST05055, INST05056

700x500mm (INST05055)



800x600mm (INST05056)



Supreme 2 LED Illuminated Mirror INST05055, INST05056

FAQs

	INST05055 (700x500mm)	INST05056 (800x600mm)
Can the mirror be hung landscape?	Yes	Yes
What is the thickness of the mirror glass?	5mm	5mm
Is the cabinet IP44 rated?	Yes – Suitable for use in bathroom zone 2	
What size fuse should I use?	Seek the advice of an electrician	
What is the total power consumption?	40W	48W
Does the cabinet have an energy rating?	A	A
What is the colour of the light and the Kelvin rating?	2700-6500K	2700-6500K
What is the Lumen of the LEDs?*	–	–
What is the wattage of the lights?	24.5W	29W
Where is the Touch sensor located?	Front middle	Front middle
Can the LED lighting be replaced?	No**	No**
Can the Touch sensor be replaced?	Yes	Yes
What is the output of the demister pad?	16W	19W
What are the dimensions of the demister pad?	250(h) x 300(w) mm	300(h) x 350(w) mm
How do I turn on the demister pad?	The demister pad will turn on when the LEDs are turned on	
Are illuminated cabinets supplied with mains cable?	All illuminated mirrors are supplied with a removeable 500mm mains cable	

*The Lumen represents the output of the LED. This may vary depending on the diffuser material i.e., glass or acrylic.

**The LEDs are not replaceable to maintain the integrity of the product's resistance to moisture ingress.