

### Spool LED Illuminated Rectangular Mirror INST05052, INST05053, INST05054



#### Specification

	INST05052 (700x450mm)	INST05053 (800x600mm)	INST05054 (600x1000mm)
Finish	-	-	-
Dimensions	700(h) x 450(w) x 27(d) mm	800(h) x 600(w) x 27(d) mm	600(h) x 1000(w) x 27(d) mm
Weight	10.8kg	12.6kg	14.3kg
Lighting Type	LED	LED	LED
Colour Changing Technology (CCT)	No	No	No
Switch Location	Front	Front	Front
Surface/Recess Fitting	Surface	Surface	Surface
Carcass/Frame Construction Material	Plastic	Plastic	Plastic
Glass Thickness	5mm	5mm	5mm

#### Features

Lighting	LED lighting
Controls	Contact free infrared switch
Hanging	Can be hung portrait or landscape

#### FAQs

Please see following pages



#### Key Features + Benefits

<b>5</b> Years Guarantee	<b>2</b> Years Guarantee Electrical Components	<b>IP44</b> Rated	<b>LED</b> LED Lighting	<b>IR</b> Infrared Controls	<b>Heated Demister Pad</b>	<b>Portrait or Landscape Hanging</b>
-----------------------------	--	----------------------	----------------------------	--------------------------------	----------------------------	--------------------------------------

#### Certifications + Accreditations

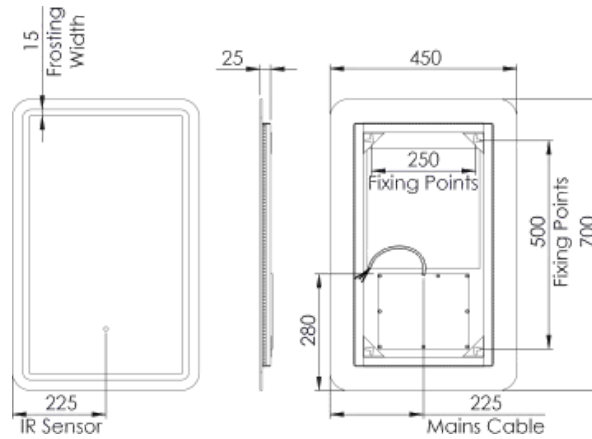
#### Roper Rhodes

Brassmill Lane Trading Estate, Bath, BA1 3JF. Technical Support – Tel: 01225 303 900 Email: sales@roperrhodes.co.uk

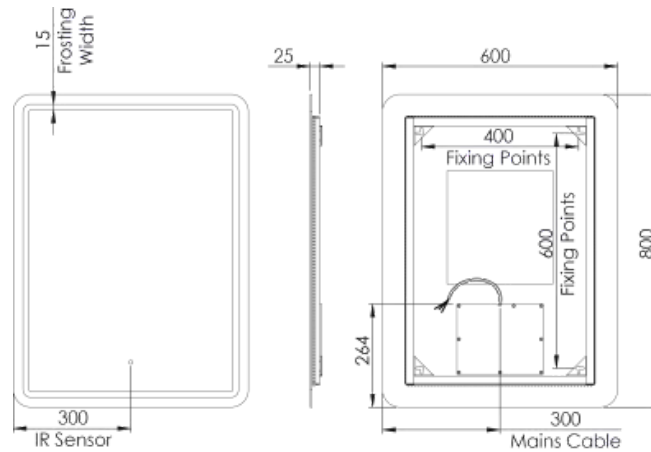
All information on the data sheet is correct at the time of publication. All measurements are approximate and subject to standard tolerances.

### Spool LED Illuminated Rectangular Mirror INST05052, INST05053, INST05054

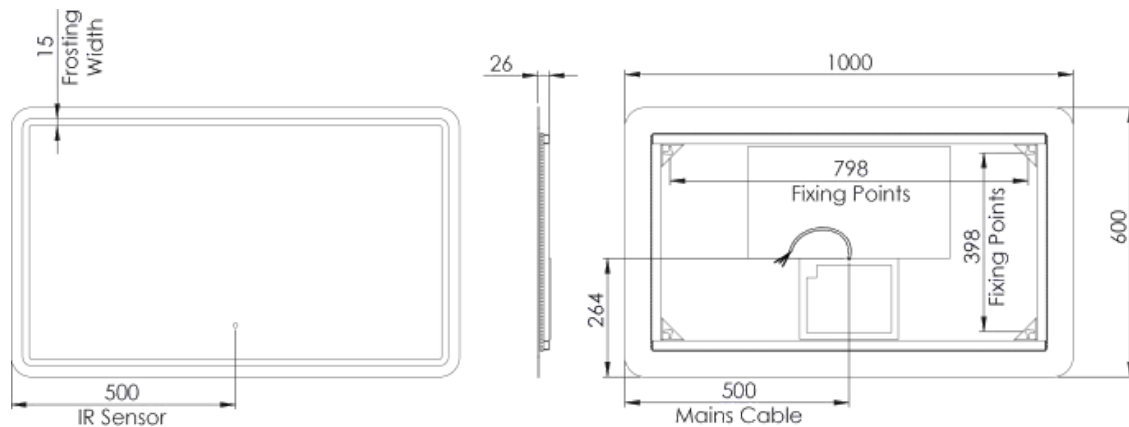
#### 700x450mm (INST05052)



#### 800x600mm (INST05053)



#### 600x1000mm (INST05054)



#### Roper Rhodes

Brassmill Lane Trading Estate, Bath, BA1 3JF. Technical Support – Tel: 01225 303 900 Email: sales@roperrhodes.co.uk

All information on the data sheet is correct at the time of publication. All measurements are approximate and subject to standard tolerances.

### Spool LED Illuminated Rectangular Mirror INST05052, INST05053, INST05054

#### FAQs

	INST05052 (700x450mm)	INST05053 (800x600mm)	INST05054 (600x1000mm)
Can the mirror be hung landscape?	Yes	Yes	Yes
What is the thickness of the mirror glass?	5mm	5mm	5mm
Is the cabinet IP44 rated?	Yes – Suitable for use in bathroom zone 2		
What size fuse should I use?	Seek the advice of an electrician		
What is the total power consumption?	28W	31W	40W
Does the cabinet have an energy rating?	A	A	A
What is the colour of the light and the Kelvin rating?	6500K	6500K	6500K
What is the Lumen of the LEDs?*	–	–	–
What is the wattage of the lights?	14W	17W	20W
Where is the control sensor located?	Front centre bottom	Front centre bottom	Front centre bottom
Can the LED lighting be replaced?	No**	No**	No**
Can the control sensor be replaced?	Yes	Yes	Yes
What is the output of the demister pad?	14W	14W	20W
What are the dimensions of the demister pad?	270(h) x 290(w) mm	270(h) x 290(w) mm	250(h) x 450(w) mm
How do I turn on the demister pad?	The demister pad will turn on when the LEDs are turned on		
Are illuminated cabinets supplied with mains cable?	All illuminated mirrors are supplied with a removeable 500mm mains cable. There is ample storage for excess cable in the back of the unit		

\*The Lumen represents the output of the LED. This may vary depending on the diffuser material i.e., glass or acrylic.

\*\*The LEDs are not replaceable to maintain the integrity of the product's resistance to moisture ingress.