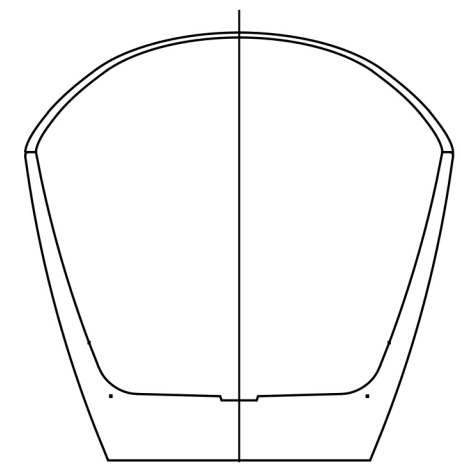
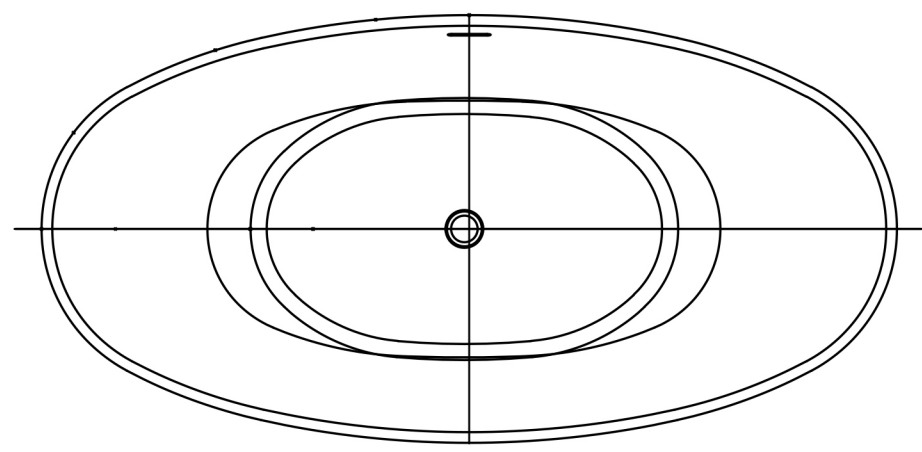


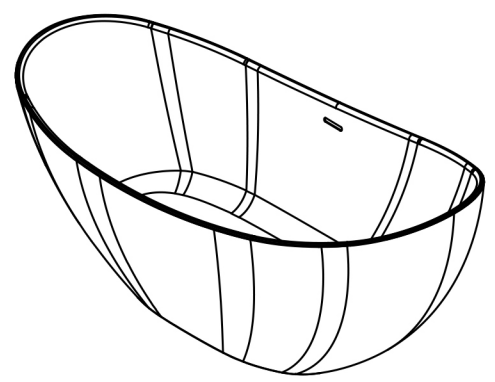
440±10
800±10



50



480±10
760±10
800±10



960±10
1560±10
1600±10
20

Unit:mm

Compiled information is subject to change without prior notice

MODEL No.