

TECHNICAL DATA SHEET

SKEAN SOFT CLOSE STANDARD SEAT & COVER

Category: Seats

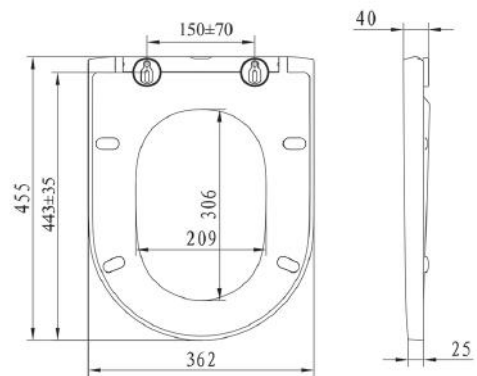
Weight: 1.70kg

Range: Skean

Guarantee: 1 year manufacturing

Instinct Code: INSKN003

EAN Code: 5060737384342



Dimensions are in millimetres except thread sizes which are BSP imperial.

Features

- CE Approved
- Duraplus anti bacteria soft close, quick release seat

Notes

Our guarantee is subject to the product having been installed, used and maintained in accordance with our instructions. All working parts (such as hinges, ceramic disks, cartridges and cistern fittings), which are subject to normal wear and tear, are covered for 36 months from proof of purchase date. This excludes seats and bath seals, which are covered for 12 months. Our guarantee applies to the original purchaser and is nontransferable. Our guarantee is only applicable in the UK and ROI. This does not affect your statutory rights.

Information is provided for guidance only and is non-binding. All measurements are approximate and subject to standard tolerances. We reserve the right to change product specifications without prior notification.