

Skean Standard Height Short Projection Rimless Back To Wall Pan INSKN001BTWR, INSKN004SLIM



Seat Specification

Duraplast Soft Close, Slimline, Quick Release, Seat + Cover (INSKN004SLIM)

Finish	White
Dimensions	36.5(h) x 360(w) x 440(d) mm
Weight	2.85kg
Seat Hinge Material	Metal / Plastic
Antibacterial Protection	Yes
Seat Type	Standard
UV Protection	Yes
Max Load Test	150kg
Seat Material	Duraplast

Pan Specification

Standard Height Short Projection Rimless Back To Wall Pan (INSKN001BTWR)

Finish	White
Dimensions	400(h) x 360(w) x 540(d) mm
Weight	28.5kg
Fixing Supplied	Yes
Fixing Exposed or Concealed	Concealed

FAQs

Please see next page

Key Features + Benefits

25	1					
Years Guarantee on Ceramics	Year Guarantee on Seats	Back To Wall Pan	Short Projection Pan	Rimless Pan	Quick Release Seat	Soft Close Seat

Certifications + Approvals

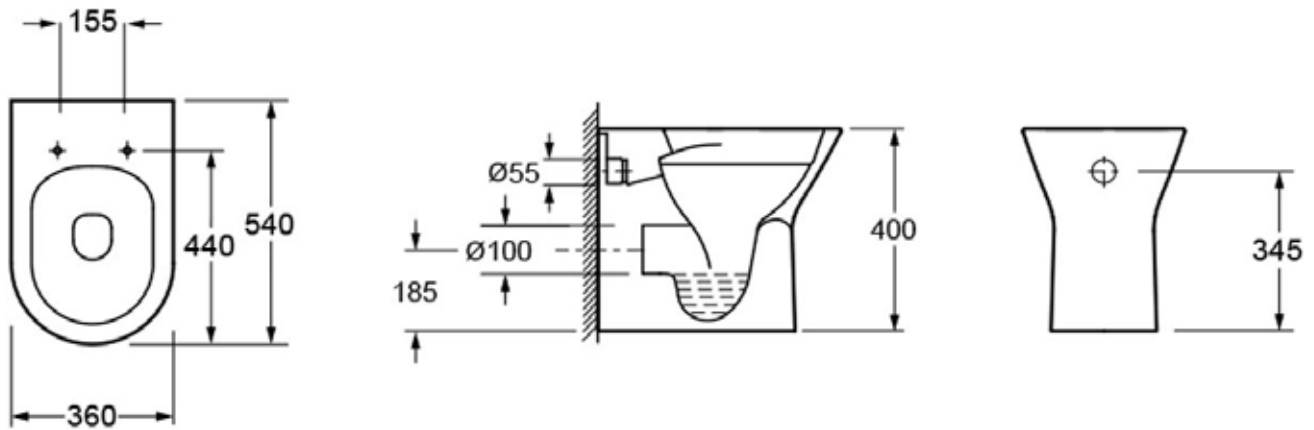
Imex Ceramics

15 Millbrook Industrial Estate, Sybron Way, Crowborough TN6 3DU. Technical Support – Tel: 01530 835598 Email: sales@imexceramic.co.uk

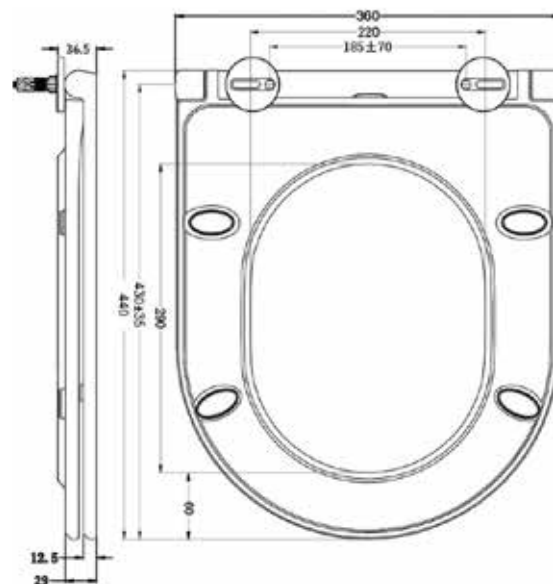
All information on the data sheet is correct at the time of publication. All measurements are approximate and subject to standard tolerances.

Skean Standard Height Short Projection Rimless Back To Wall Pan INSKN001BTWR, INSKN004SLIM

Pan (INSKN001BTWR)



Seat (INSKN004SLIM)



Skean Standard Height Short Projection Rimless Back To Wall Pan INSKN001BTWR, INSKN004SLIM

FAQs

Q – Is this pan rimless or box rim?

A – Rimless.

Q – What finish is the ceramic glaze?

A – White.

Q – What's the maximum test load of the seat?

A – 150kg.