

### Thermoset Shower Seat INST03021

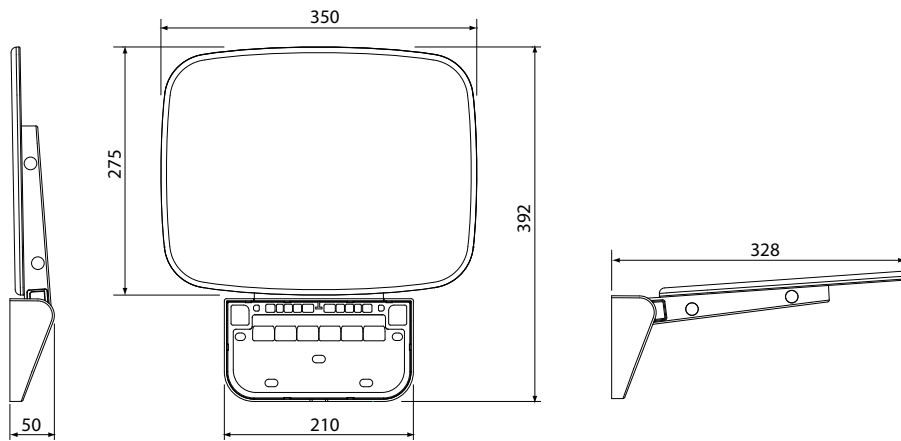


#### Specification

Finish	White
Dimensions	392(h) x 350(w) x 328(d) mm
Weight	2.1 kg
Seat Material	Durable thermoset plastic with chrome plated trim

#### Features

Design	Compact design, ideal for shower cubicles
Mounting	Wall mounted, folds up flat to the wall when not in use
Load Bearing	Holds up to 160kg
Assembly	Easy to install
Fixings	Supplied



#### Key Features + Benefits



#### Certifications + Approvals

#### Roper Rhodes

Brassmill Lane Trading Estate, Bath, BA1 3JF. Technical Support – Tel: 01225 303 900 Email: sales@roperrhodes.co.uk

All information on the data sheet is correct at the time of publication. All measurements are approximate and subject to standard tolerances.