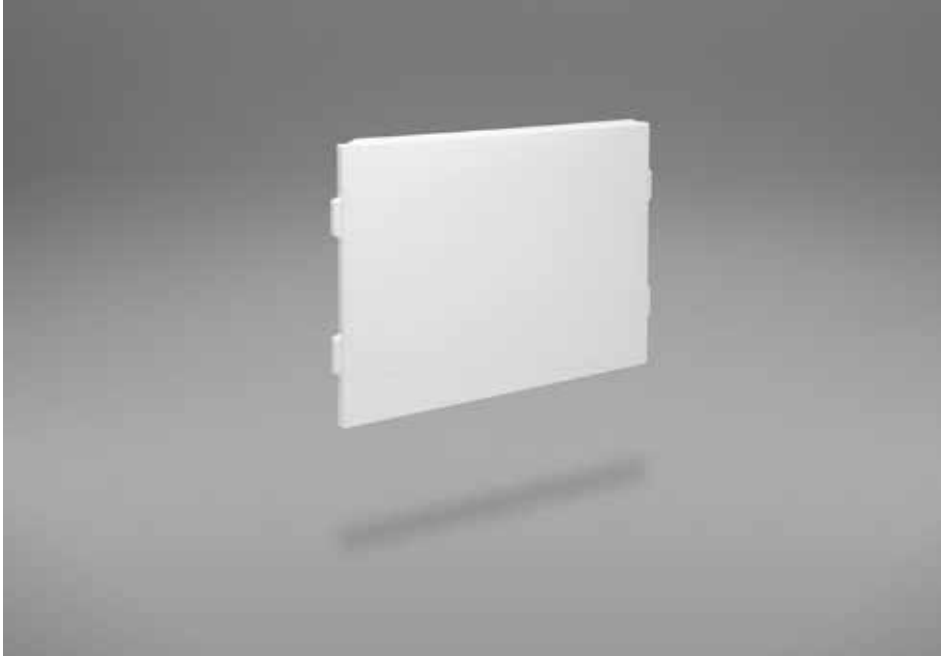
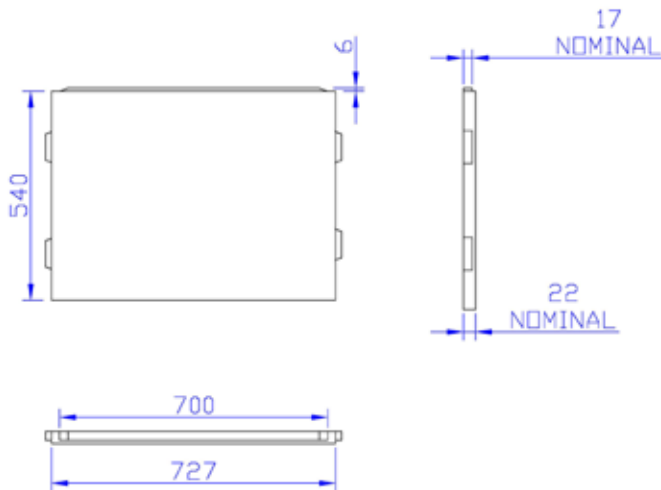


### Shibden / Wilsden 750 x 540mm End Panel INS7554EP



#### Specification

Finish	White
Dimensions	540(h) x 727(w) x 22(d) mm
Weight	1.2kg
End Panel (Adjustment)	-
End Panel Material	Acrylic Styrene



#### Key Features + Benefits

**2**

Years  
Guarantee

#### Certifications + Accreditations



#### Carron Bathrooms Ltd

North Carron Works, Stenhouse Rd, Falkirk FK2 8UW, Scotland, United Kingdom. Technical Support – Tel: +44 (0)1324 638 407 Email: info@carronbathrooms.com

All information on the data sheet is correct at the time of publication. All measurements are approximate and subject to standard tolerances.