

Shibden Framed Mirror (Gunmetal Finish)

INSTSH45RGM, INSTSH60RGM, INSTSH50PGM, INSTSH60CGM, INSTSH80CGM, INSTSH50AGM



Specification

	INSTSH45RGM (Rectangular)	INSTSH60RGM (Rectangular)	INSTSH50PGM (Pill)
Finish	Gunmetal	Gunmetal	Gunmetal
Dimensions	700(h) x 450(w) x 38(d) mm	800(h) x 600(w) x 38(d) mm	800(h) x 500(w) x 38(d) mm
Weight	8.1kg	11.86kg	13kg
Surface/Recess Fitting	Surface	Surface	Surface
Carcass/Frame Construction Material	Aluminium	Aluminium	Aluminium
Carcass/Frame Finish	Gunmetal	Gunmetal	Gunmetal
Glass Thickness	5mm	5mm	5mm

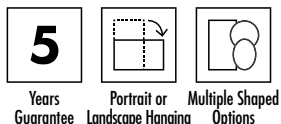
	INSTSH60CGM (Circular)	INSTSH80CGM (Circular)	INSTSH50AGM (Arch)
Finish	Gunmetal	Gunmetal	Gunmetal
Dimensions	600(diameter) x 38(d) mm	800(diameter) x 38(d) mm	800(h) x 500(w) x 38(d) mm
Weight	7.879kg	13.534kg	6.2kg
Surface/Recess Fitting	Surface	Surface	Surface
Carcass/Frame Construction Material	Aluminium	Aluminium	Aluminium
Carcass/Frame Finish	Gunmetal	Gunmetal	Gunmetal
Glass Thickness	5mm	5mm	5mm

FAQs

Please see following pages



Key Features + Benefits



Certifications + Accreditations

Roper Rhodes

Brassmill Lane Trading Estate, Bath, BA1 3JF. Technical Support – Tel: 01225 303 900 Email: sales@roperrhodes.co.uk

All information on the data sheet is correct at the time of publication. All measurements are approximate and subject to standard tolerances.

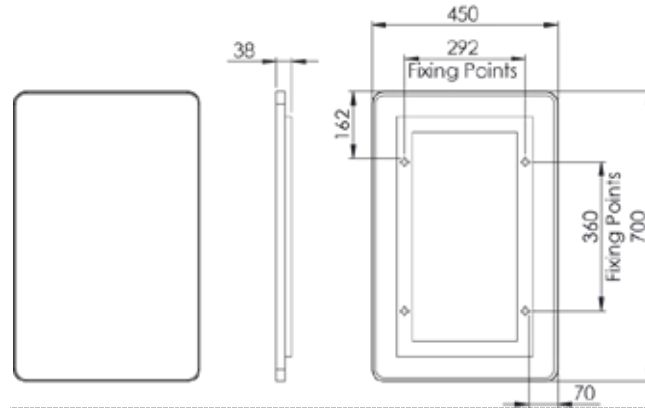
Technical Data Sheet | Cabinets + Mirrors

www.instinctproducts.co.uk

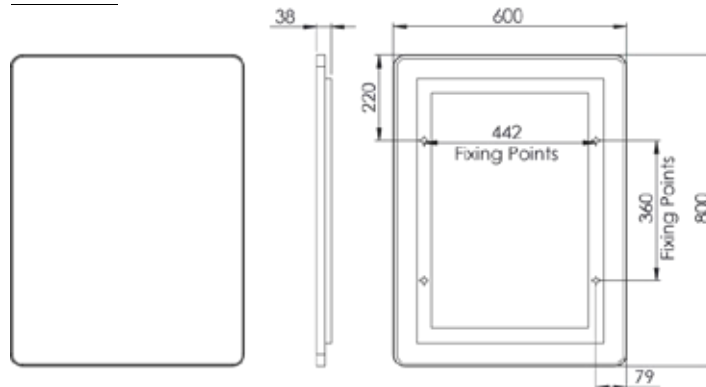
Shibden Framed Mirror (Gunmetal Finish)

INSTSH45RGM, INSTSH60RGM, INSTSH50PGM, INSTSH60CGM, INSTSH80CGM, INSTSH50AGM

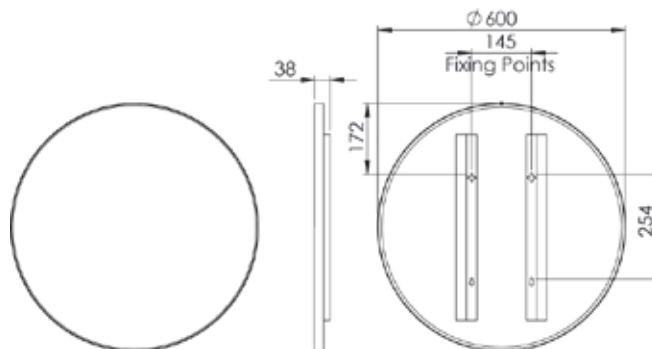
Rectangular – 700 x 450mm (INSTSH45RGM)



Rectangular – 800 x 600mm (INSTSH60RGM)



Circular – Ø600mm (INSTSH60CGM)



Roper Rhodes

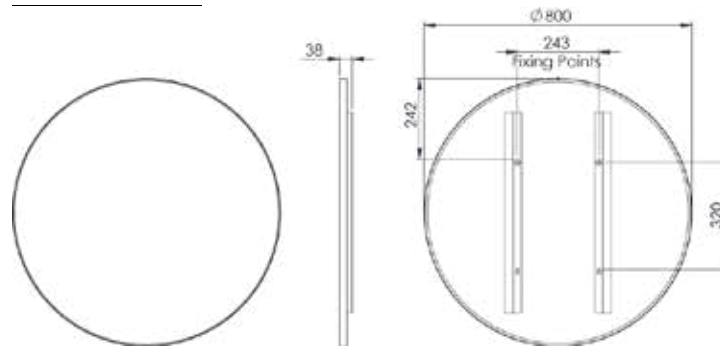
Brassmill Lane Trading Estate, Bath, BA1 3JF. Technical Support – Tel: 01225 303 900 Email: sales@roperrhodes.co.uk

All information on the data sheet is correct at the time of publication. All measurements are approximate and subject to standard tolerances.

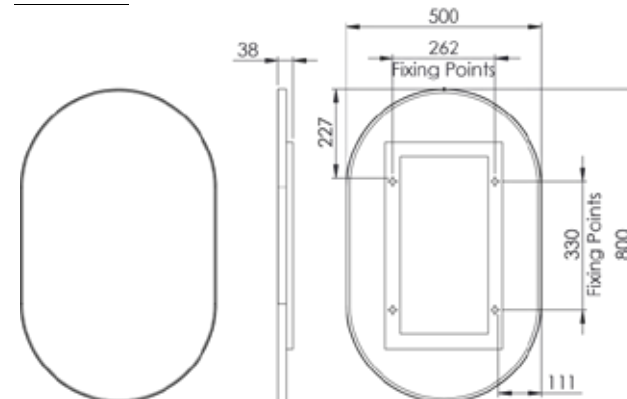
Shibden Framed Mirror (Gunmetal Finish)

INSTSH45RGM, INSTSH60RGM, INSTSH50PGM, INSTSH60CGM, INSTSH80CGM, INSTSH50AGM

Circular – Ø800mm (INSTSH80CGM)



Pill – 800 x 500mm (INSTSH50PGM)



Arch – 800 x 500mm (INSTSH50AGM)

Line Drawing Required

Shibden Framed Mirror (Gunmetal Finish)

INSTSH45RGM, INSTSH60RGM, INSTSH50PGM, INSTSH60CGM, INSTSH80CGM, INSTSH50AGM

FAQs

	INSTSH45RGM (Rectangular)	INSTSH60RGM (Rectangular)	INSTSH50PGM (Pill)	INSTSH60CGM (Circular)	INSTSH80CGM (Circular)	INSTSH50AGM (Arch)
Can the mirror be hung portrait and landscape?	Yes	Yes	Yes	Portrait Only	Portrait Only	Portrait Only
What is the thickness of the mirror glass?	5mm	5mm	5mm	5mm	5mm	5mm