

After care service

Tips

To secure the mirror further, a small amount of silicone sealant can be applied to the side of the extrusions to prevent the mirror being accidentally pulled away from the wall.

To remove the mirror, the mirror should first be lifted and then pulled away from the wall.

Cleaning your product

When cleaning the mirror or any mirrored surfaces it is recommended to use a soft, dry, non abrasive cloth. Do not use cleaning agents or abrasive materials.

Troubleshooting & After care service

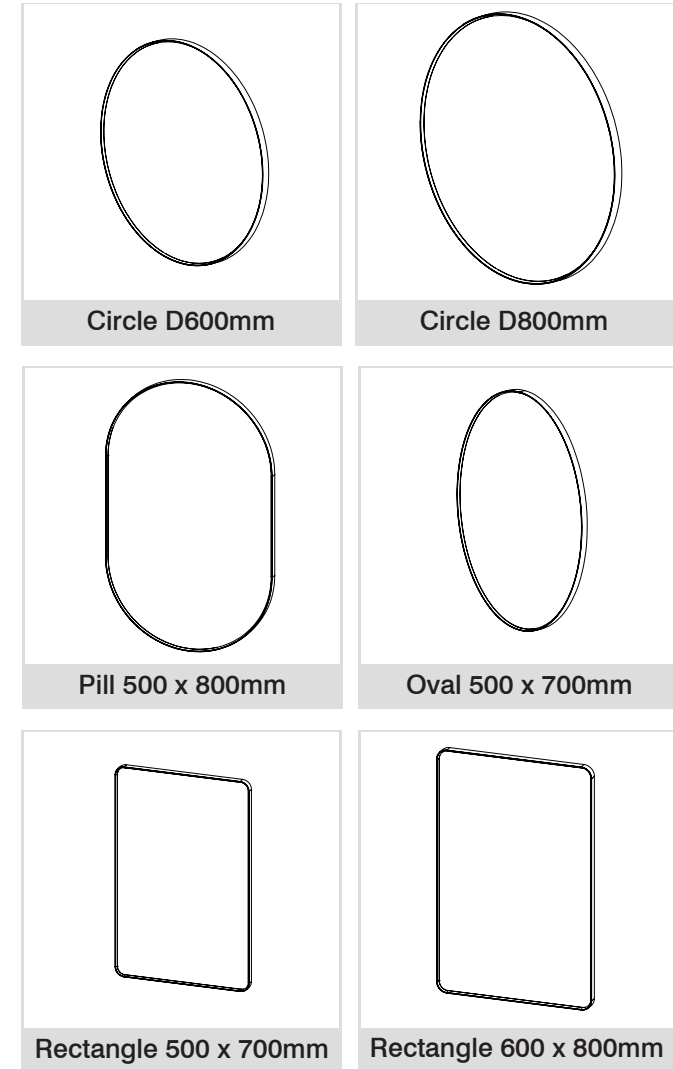
For any further assistance, please contact our tech support team at: 01225 303 900.

Compliance

This product complies with all relevant British and European safety standards.



INSTINCT®



Shibden Non-Illuminated Mirror Mirror with Trim - Black Installation & Aftercare Instructions

TEL: 01225 303 900

Retain for future reference

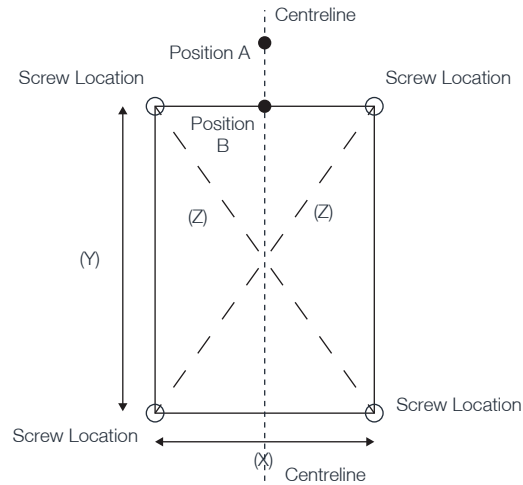
AO|11.21|V1

Installation Procedure

Important: Before starting the installation process, ensure the wall construction is suitable and can support the weight of the mirror.

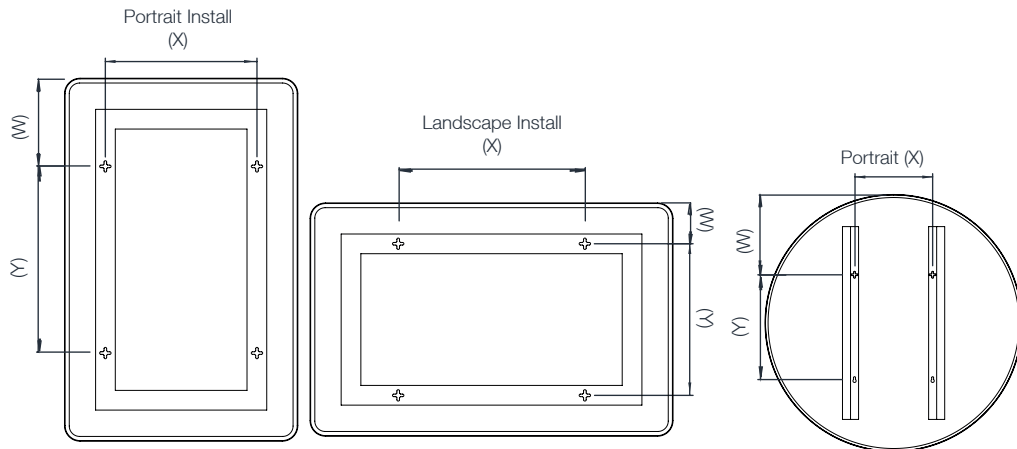
Important: We recommend all four holes are used to support the mirror on the wall.

Note: The wall plugs supplied are suitable for solid stone / brick walls. For any other wall material use specialist wall plugs.



1) On the wall, using a spirit level and pencil, draw a vertical line to represent the position of the centreline of the mirror.

2) Mark on the centreline the height at which the top of the mirror is to be positioned. This is position A.



3) On your mirror, measure the distance (W) between the top of the mirror and the top keyhole slot. From position A (marked in the previous step) measure vertically down distance (W) and mark with a pencil. This is position B.

4) On your mirror, measure the distance (X) between the keyhole slots.

5) Using a spirit level draw a horizontal line of length (X) centred on Position B. Each end of this line represents the location of a hanging screw.

6) On your mirror, measure the distance (Y) between the keyhole slots.

7) Using a spirit level draw a vertical line of length (Y) below both previously marked screw positions. The ends of these lines represent the locations of the final hanging screws.

8) To ensure accuracy, measure the diagonal distances (Z) to ensure that they are equal.

9) Drill the four marked out positions and fit the wall plugs accordingly. Fix the screws into position, leaving a small amount of the screw head proud of the wall for hanging. The closer the screw head to the wall the better the fixing.

10) The mirror should easily slide onto the fixing screws and secure into place.

