

Technical Data Sheet | Designer Towel Rails

Shauna 1200 x 500mm Towel Rail (Heating Only) SHAUNA1200500WS



Specification

Finish	White Sparkle
Dimensions	1200(h) x 500(w) x 105-120(d) mm
Weight	7.5kg
BTU Output/Hr	2143
Watts @ Δ T50°C	628
Bars	3-5-7
Pipe Centres	50mm
Electric Element Wattage	-
Face to Face Connections	-
Radiator Columns	-
Material	Mild Steel

All heat outputs are shown at 50°C Δ t in compliance with BSEN442. Watts and Btu's apply to Heating and Dual Fuel only.

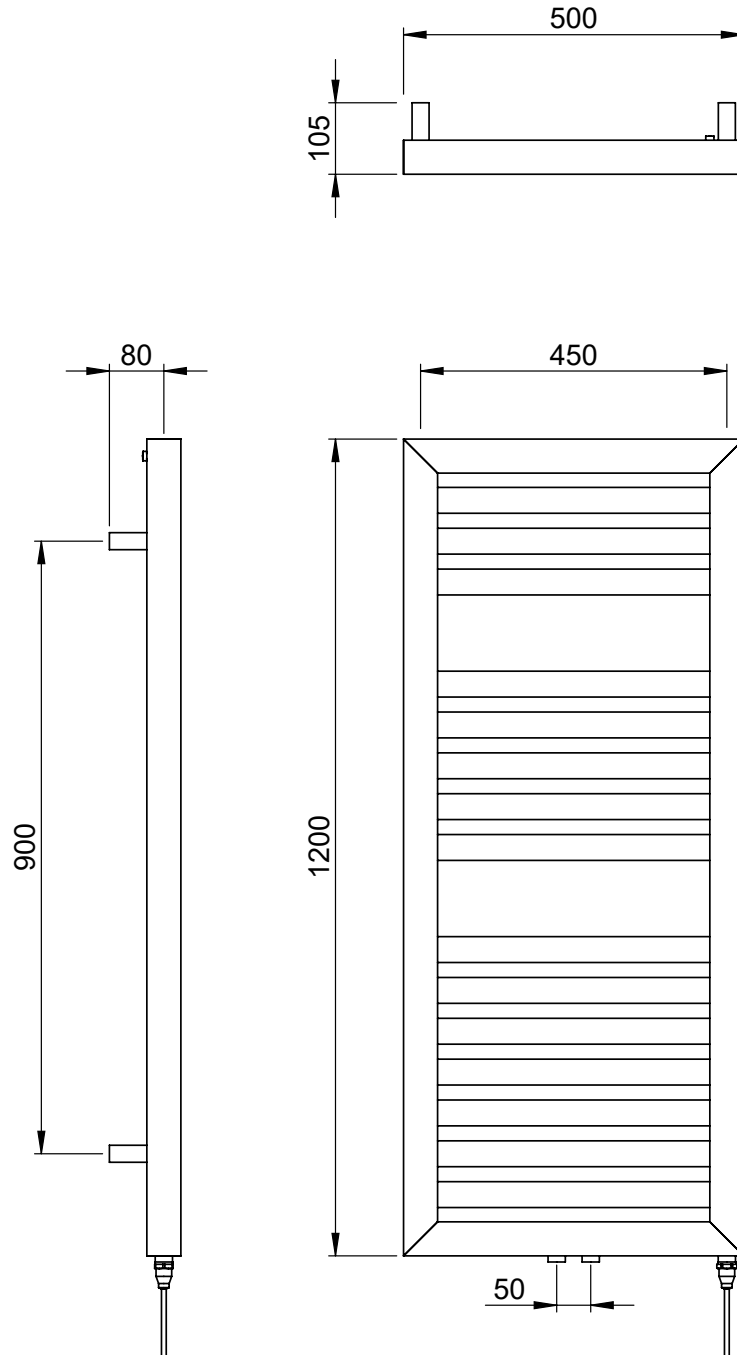
Key Features + Benefits



Certifications + Approvals

Technical Data Sheet | Designer Towel Rails

Shauna 1200 x 500mm Towel Rail (Heating Only) SHAUNA1200500WS



*Dual energy models require a conversion-tee, consult relevant drawing for details.