

### Shauna 1200 x 500mm Towel Rail (Dual Fuel) SHAUNA1200500MB-HE



#### Specification

Finish	Matt Black
Dimensions	1200(h) x 500(w) x 105-120(d) mm
Weight	8.8kg
BTU Output/Hr	2143
Watts @ $\Delta T50^{\circ}\text{C}$	628
Bars	3-5-7
Pipe Centres	50mm
Electric Element Wattage	400
Face to Face Connections	-
Radiator Columns	-
Material	Mild Steel

All heat outputs are shown at  $50^{\circ}\text{C}$   $\Delta t$  in compliance with BSEN442. Watts and Btu's apply to Heating and Dual Fuel only.

#### Key Features + Benefits



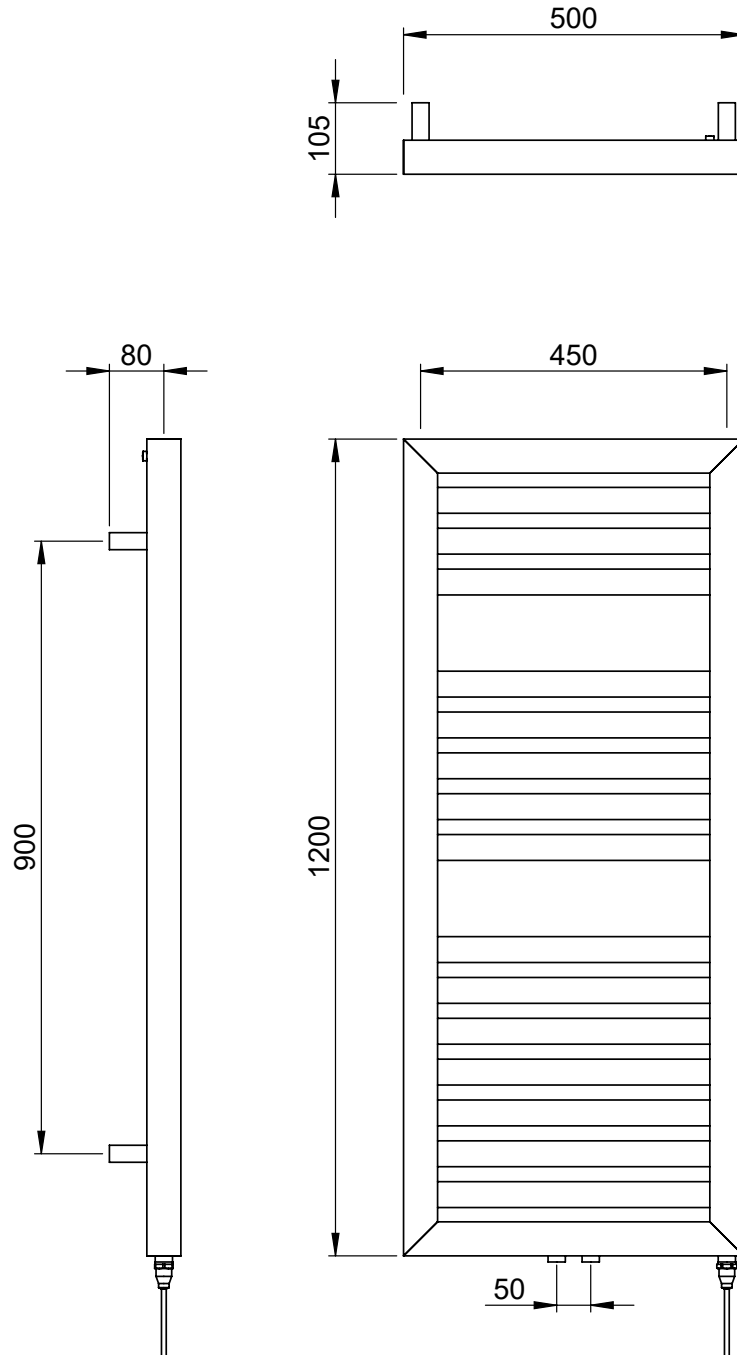
15  
Years  
Guarantee

MS  
Mild  
Steel

#### Certifications + Approvals

## Technical Data Sheet | Designer Towel Rails

### Shauna 1200 x 500mm Towel Rail (Dual Fuel) SHAUNA1200500MB-HE



\*Dual energy models require a conversion-tee, consult relevant drawing for details.