

Shauna 1200 x 500mm Towel Rail (Electric Only) SHAUNA1200500MB-E



Specification

| | |
|--------------------------|----------------------------------|
| Finish | Matt Black |
| Dimensions | 1200(h) x 500(w) x 105-120(d) mm |
| Weight | 13kg |
| BTU Output/Hr | - |
| Watts @ Δ T50°C | - |
| Bars | 3-5-7 |
| Pipe Centres | 50mm |
| Electric Element Wattage | 400 |
| Face to Face Connections | - |
| Radiator Columns | - |
| Material | Mild Steel |

All heat outputs are shown at 50°C Δ t in compliance with BSEN442. Watts and Btu's apply to Heating and Dual Fuel only.

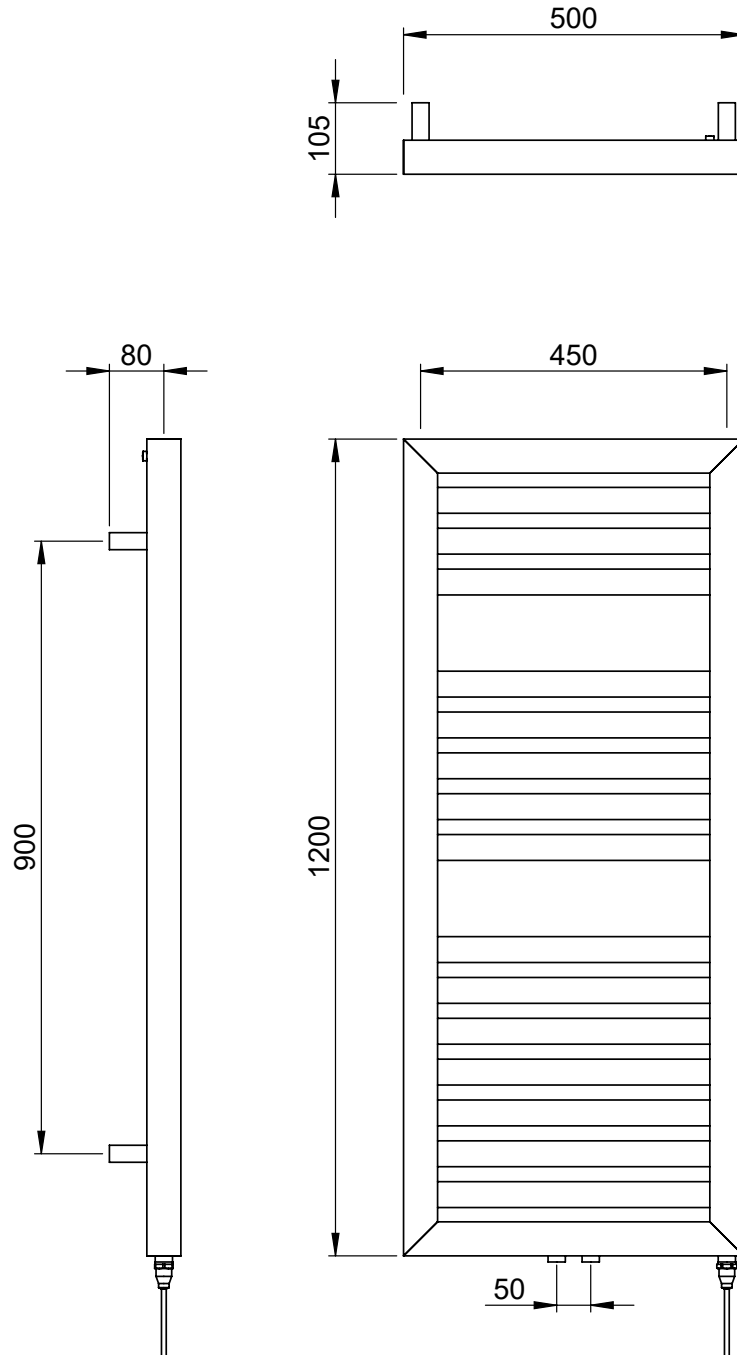
Key Features + Benefits



Certifications + Approvals

Technical Data Sheet | Designer Towel Rails

Shauna 1200 x 500mm Towel Rail (Electric Only) SHAUNA1200500MB-E



*Dual energy models require a conversion-tee, consult relevant drawing for details.

Vogue (UK) Ltd
Strawberry Lane, Willenhall, West Midlands, WV13 3RS. Technical Support – Tel: +44(0) 1902 387000 Email: sales@vogueuk.co.uk

All information on the data sheet is correct at the time of publication. All measurements are approximate and subject to standard tolerances.