

### Shadow Aluminium Cabinet INST06031, INST06032



#### Specification

	INST06031 (Single Door)	INST06032 (Double Door)
Finish	Aluminium	Aluminium
Dimensions	700(h) x 500(w) x 140(d) mm	700(h) x 650(w) x 140(d) mm
Weight	16.4kg	22.4kg
Lighting Type	LED	LED
Colour Changing Technology (CCT)	No	No
Switch Location	Right bottom	Right bottom
Surface/Recess Fitting	Surface	Surface
Carcass/Frame Construction Material	Aluminium	Aluminium
Carcass/Frame Finish	Aluminium	Aluminium
Number of Internal Shelves	Two	Two
Shelves (Fixed/Adjustable)	Adjustable	Adjustable
Door Hinge Handing	Left hand	-
Glass Thickness	6mm	6mm

#### Features

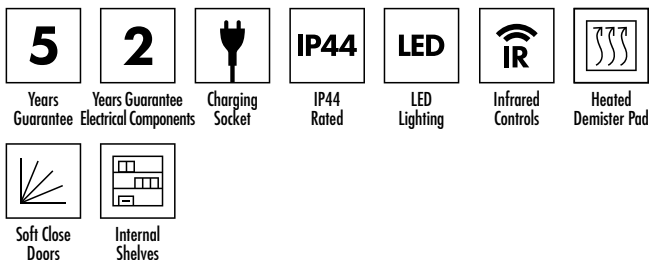
Doors Double sided mirror doors with demist and soft close

#### FAQs

Please see following pages



#### Key Features + Benefits



#### Certifications + Accreditations

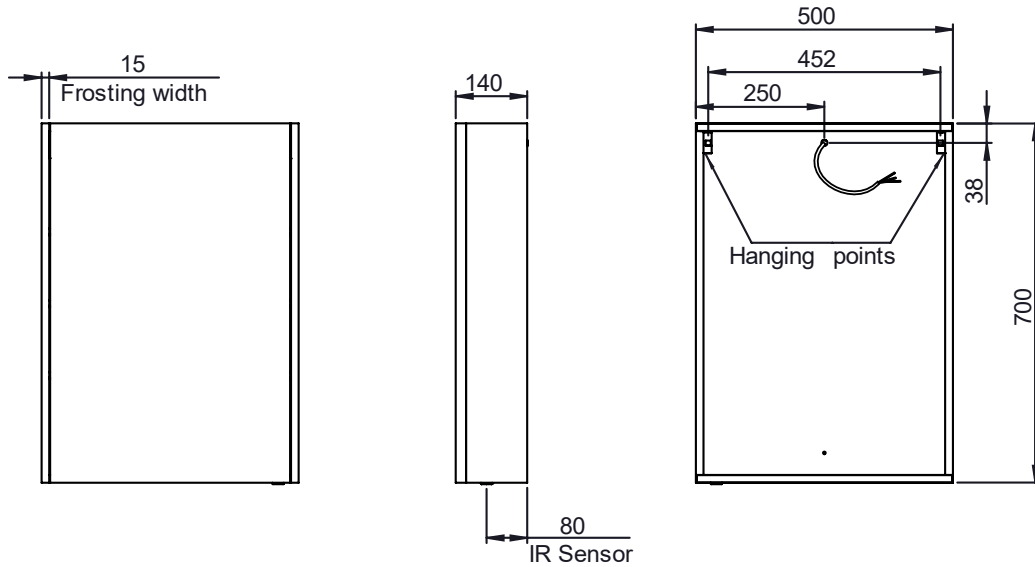
#### Roper Rhodes

Brassmill Lane Trading Estate, Bath, BA1 3JF. Technical Support – Tel: 01225 303 900 Email: sales@roperrhodes.co.uk

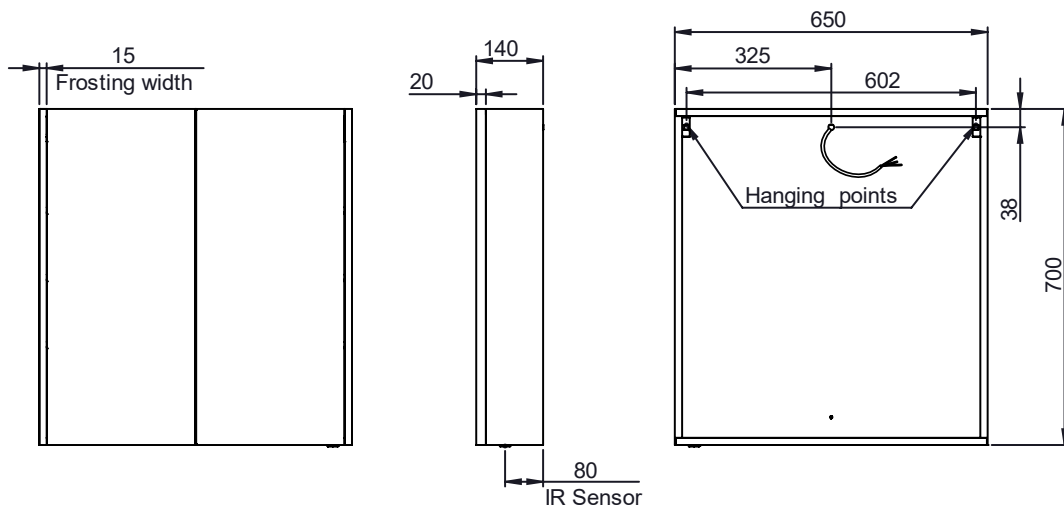
All information on the data sheet is correct at the time of publication. All measurements are approximate and subject to standard tolerances.

### Shadow Aluminium Cabinet INST06031, INST06032

#### Single Door (INST06031)



#### Double Door (INST06032)



### Shadow Aluminium Cabinet INST06031, INST06032

#### FAQs

	INST06031 (Single Door)	INST06032 (Double Door)
Internal Dimensions	470(h) x 670(w) x 118(d) mm	620(h) x 670(w) x 118(d) mm
Shelf dimensions	466(h) x 100(w) x 5(d) mm	616(h) x 100(w) x 5(d) mm
Max shelf spacing	275mm	275mm
Distance between door hinges	350mm	350mm
Individual door dimensions	500(h) x 700(w) x 11(d) mm	324.5(h) x 700(w) x 11(d) mm
Max door opening angle	125°	125°
Depth with door fully open	620mm	444.5mm
Hanging bracket centres	452mm	602mm
What is the thickness of the mirror glass?	3mm	3mm
Is the cabinet IP44 rated?	Yes	Yes
What size fuse should I use?	Seek the advice of an electrician	Seek the advice of an electrician
What is the total power consumption?	48.8W	52.8W
Does the cabinet have an energy rating?	Yes, It has an energy rating of – A	Yes, It has an energy rating of – A
What is the colour of the light and the Kelvin rating?	6000K	6000K
What is the Lumen of the LEDs?*	–	–
What is the wattage of the lights?	16.8W	16.8W
Where is the IR sensor located?	Bottom right side	Bottom right side
Can the LED lighting be replaced?	No	No
Can the IR sensor/rocker switch be repositioned?	No	No
Can the IR sensor be replaced?	Yes	Yes
What is the output of the demister pad?	12W	16W
What are the dimensions of the demister pad?	400(h) x 200(w) mm	400(h) x 150(w) mm x 2pcs
How do I turn on the demister pad?	The demister pad will turn on when the LEDs are turned on.	
Are illuminated cabinets supplied with mains cable?	All illuminated cabinets are supplied with a removeable 500mm mains cable. There is ample storage for excess cable in the back of the unit.	

\*The Lumen represents the output of the LED. This may vary depending on the diffuser material i.e., glass or acrylic.