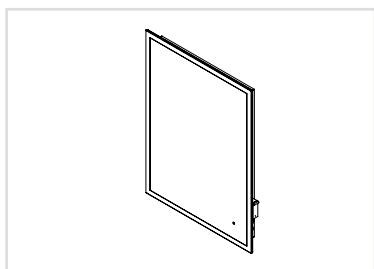


# SCALE MIRRORS – INST05037, INST05018N, INST05039

## MIRROR PRODUCT INSTRUCTIONS

### INSTALLATION & AFTERCARE INSTRUCTIONS

Please retain for future reference. Instructions should be kept / passed to end-user once installation is complete.



INST05037

#### ELECTRICAL SAFETY INSTRUCTIONS

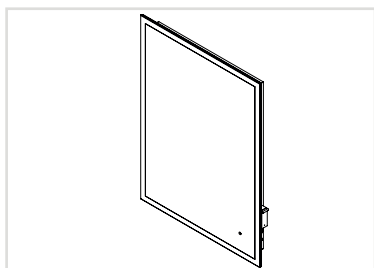
All fittings must be installed by a competent person, in accordance with current IEE wiring regulations. If in doubt consult a qualified electrician.

#### IMPORTANT

Always switch off the electrical supply at the mains during installation and maintenance. It is recommended that the fuse is withdrawn or the circuit breaker is switched off for the necessary circuit before installation commences.

The product must be installed with a minimum distance of 150mm between the infrared sensor and any adjacent wall or obstruction to ensure correct function of the sensor.

Fitting in Bathrooms is subject to the appropriate zone in accordance with IEE Regulations. This product is suitable for zone 2 and outside zones. IT IS NOT suitable for installation in Zone 0 or Zone 1. It is also not suitable for installation in saunas, steam rooms or shower cubicles. This product is only suitable for permanent installation. DO NOT connect to a trailing plug and socket outlet. Although this product has an Ingress Protection rating of IP44 it is only suitable for indoor use. Do not attach the product to surfaces that are damp or otherwise electrically conductive.



INST05018N

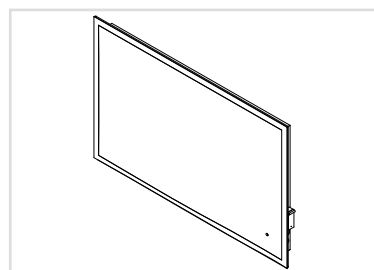
#### INSTALLATION CARE & SAFETY

Wear suitable eye protection when drilling. Take care when using power tools near water - the use of a residual current device (RCD) is advised. Beware of hidden cables or pipes. Take care if drilling on tiled surfaces in case the drill slips. A piece of masking tape applied to the wall before marking out the fixing holes will stop the drill from wandering.

DO NOT strike glass components with hard or pointed items. DO NOT place very hot or very cold items against or in close proximity to glass surfaces unless an adequately thick insulation material is used to prevent such items coming in contact with the glass.

The nominal thickness of the mirror glass used in this product is 5mm and is film backed for safety. If the glass becomes chipped or broken replace immediately.

This product should be positioned well away from curtains and other fabrics. Never cover the mirror. This product is heated, we recommend that it is turned off after use and should never be left on for prolonged periods of time.



INST05039

This product should only to be installed by a competent person.

#### CLEANING

It is recommended that the unit is cleaned with a soft, dry, non abrasive cloth when turned off. Never use cleaning agents or abrasive materials on any type of surface finish. Do not allow moisture to come into contact with the electrical components.

#### COMPLIANCE

This product complies with all relevant British and European safety standards.

THIS PRODUCT IS MANUFACTURED TO CLASS I CATEGORY AND MUST HAVE AN EARTH CONNECTION.

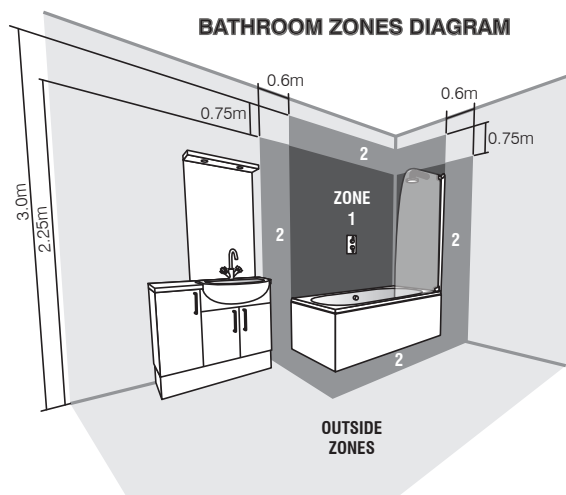
#### COLOUR CODING:

L - Live = Brown  
N - Neutral = Blue  
⊕ - Earth = Green & Yellow

Strip wires to a suitable length. DO NOT connect to a plug & socket outlet.



! IF IN DOUBT CONSULT YOUR ELECTRICIAN !

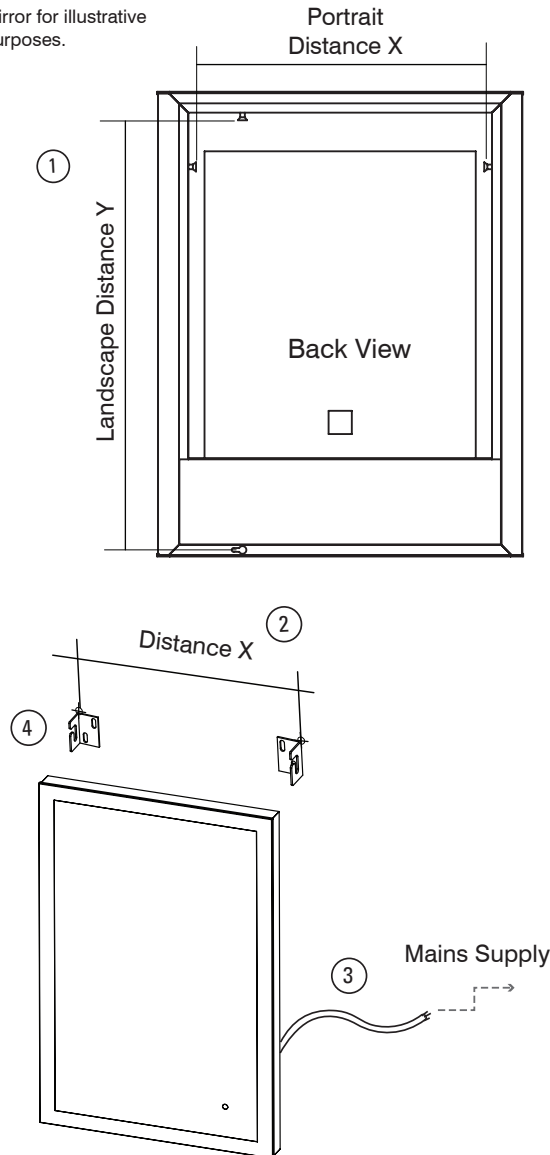


Distances from a bath tub or shower tray

# SCALE MIRRORS – INST05037, INST05018N, INST05039

## MIRROR PRODUCT INSTRUCTIONS

Mirror for illustrative purposes.



### INSTALLATION PROCEDURE

Before commencing installation switch off electrical supply at the mains. The wall surface must be of suitable strength and construction.

1) Measure the distance (X) between the keyhole slots on the back of the mirror. The LE70ALU & LE80ALU can be hung both portrait and landscape. If hanging landscape measure the distance (Y) between the fixing pin and the keyhole slot on the back of the mirror.

2) Mark out the fixing screw positions on the wall using a pencil to the desired height, ensuring they are spaced at distance (X).

Drill the marked out positions and fit the wall plugs accordingly. Fix the screw into position, leaving a small amount of the screw head proud of the wall for hanging.  
NOTE: The wall plugs supplied are only suitable for solid stone / brick walls. For plasterboard walls use specialist wall plugs.

3) The next step is to make the electrical connection from the mirror to the mains supply. Use the connection wire found at the rear of the mirror to make the necessary connections in accordance with the current IEE regulations. A second person will need to hold the mirror in place whilst electrical connections are made.

4) The mirror should easily slide onto the fixing screws and secure into place.

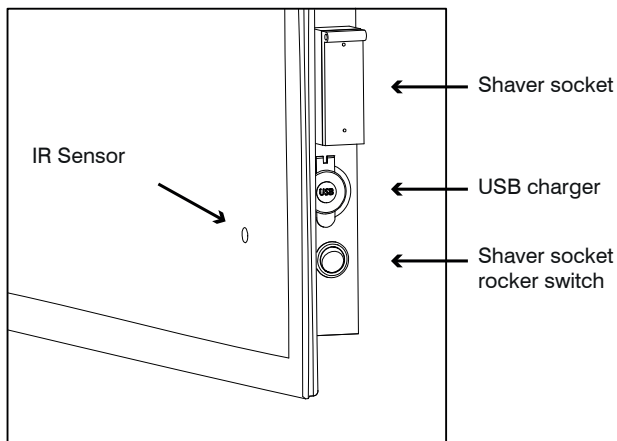
To secure the mirror further, a small amount of silicone sealant can be applied to the back of the electrical compartment to prevent the mirror being accidentally pulled away from the wall.

To remove the mirror, the mirror should first be lifted and then pulled away from the wall.

### OPERATING INSTRUCTIONS

The Leap Mirror comes with LED lighting, USB charging and a shaver socket.

- The USB charger is always ready to start charging.
- Please switch the rocker switch on to start using the shaver socket.
- The LED lighting is controlled via an IR sensor located on the front face of the product. The lighting can be controlled using the gesture detailed below:



#### Turn Mirror ON/OFF

To turn the mirror on/off, slowly wave your hand in front of the IR sensor.

