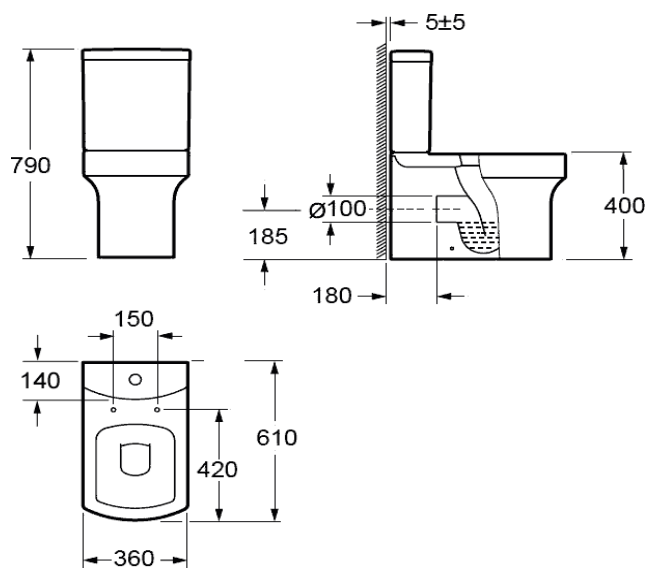


<b>Product Code</b>	INSSA001
---------------------	----------

### Instinct INSSA001 Samos Close Coupled WC Pan 360x610x400mm

<b>Category:</b>	Toilets	<b>Weight</b>	32.5 KG	<b>Range</b>	Samos
<b>Guarantee:</b>	Sanitaryware		25 years	<b>Instinct Code</b>	INSSA001
	Cistern Fittings		3 years	<b>Colour:</b>	White
	Seats		1 year	<b>EAN CODE</b>	5060516861729



Dimensions are in Millimetres except thread sizes which are BSP imperial

#### Features:

Easy to Clean Glaze  
Includes fittings

#### Approvals:

CE Approved	YES
Made to British Standard	YES
WRAS Approved	CISTERN

#### Notes

Our guarantee is subject to the product having been installed, used and maintained in accordance with our instructions. All working parts (such as hinges, ceramic disks, cartridges, seals and cistern fittings), are covered for 36 months from proof of purchase date. This excludes seats, which are subject to normal wear and tear, which are covered for 12 months. Our guarantee applies to the original purchaser and is non-transferable. Our guarantee is only applicable in the UK and ROI. This does not affect your statutory rights.

We recommend that a pressure reducing valve is fitted in installations where the water supply pressure exceeds 3 bar. Pressure in excess of 3 bar could reduce the working life of this product and invalidate the guarantee.

Information is provided for guidance only and is non-binding. All measurements are approximate and subject to standard tolerances. We reserve the right to change product specifications without prior notification.

This data sheet was published on 20th May 2017.

T: 01530 835598

[sales@imexceramicsuk.co.uk](mailto:sales@imexceramicsuk.co.uk)

[www.imexceramicsuk.co.uk](http://www.imexceramicsuk.co.uk)