

S12 Square Bath Filler (Two Taphole) 4E6016



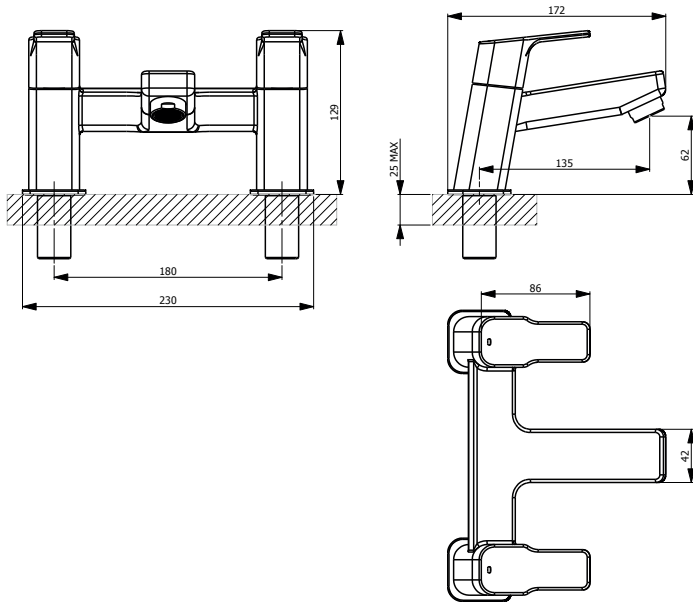
Specification

| | |
|------------------------|-----------------------------|
| Finish | Chrome |
| Dimensions | 129(h) x 230(w) x 172(d) mm |
| Weight | 2.2kg |
| Body | Brass |
| Spout Material | Brass |
| Fittings | Metal Backnut + Washer |
| Connection | ¾" BSP Threaded Tail |
| Cartridge Size | ½" QT Headwork |
| Flow Restrictor | No |
| Max Static Pressure | 25 Bar |
| Min Operating Pressure | 0.1 Bar |
| Max Operating Pressure | 6 Bar |
| Max Water Temperature | 60°C |

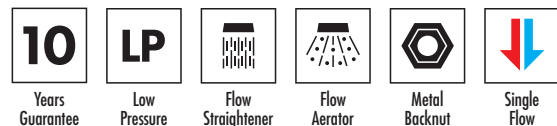
Flow Rates

| Pressure | 0.2 | 0.5 | 1 | 3 |
|-------------------|------|------|------|------|
| Flow Aerator | - | 12.1 | 17.7 | 31.3 |
| Flow Straightener | 13.8 | 22.8 | 32.4 | 51.9 |

All Pressures in Bar. All flow in L/Min. Dimensions supplied are nominal and subject to tolerance. Inclusion or restrictors (sold separately unless stated) will affect flow rate result. Performance details are based on trials under test conditions and for guidance only. The Company reserves the right to change product specification without prior notice.



Key Features + Benefits



Certifications + Approvals

