

Ryhill Instinct Premiercast Freestanding Bath INSRY004



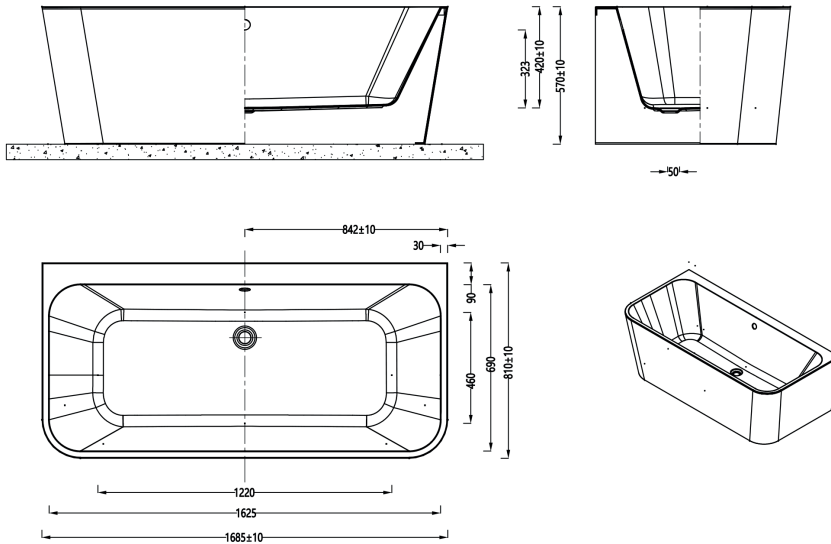
Specification

Finish	Matt Black
Dimensions	570(h) x 1685(w) x 810(d) mm
Weight	50.5kg
Bath Type	Fully back to wall
Tapholes	None
Water Capacity	290 litres
Legs Supplied	Yes
Leg Fixing Type	Integrated frame
Legs Adjustable	Yes
Bath Surface Material	Acrylic
Bath Surface Material Thickness	5mm
Waste Supplied	No
Overflow Supplied	No
Overflow Height	323mm
Encapsulated Base Board	Yes
Base Board Material	Timber
Material Used to Cover Base Board	Core mat sheet

Spares

Leg Pack	Not required
----------	--------------

The Company is not responsible for the installation of the spares supplied, which must always be fitted by a competent person. Parts supplied are in many cases identical to the original component whilst others are offered as a suitable alternative. All spares listed are suitable for direct replacement unless stated. The Company reserves the right to change product specification without prior notice.



Key Features + Benefits



Certifications + Approvals

Imex Ceramics

15 Millbrook Industrial Estate, Sybron Way, Crowborough TN6 3DU. Technical Support – Tel: 01530 835598 Email: sales@imex.team

All information on the data sheet is correct at the time of publication. All measurements are approximate and subject to standard tolerances.