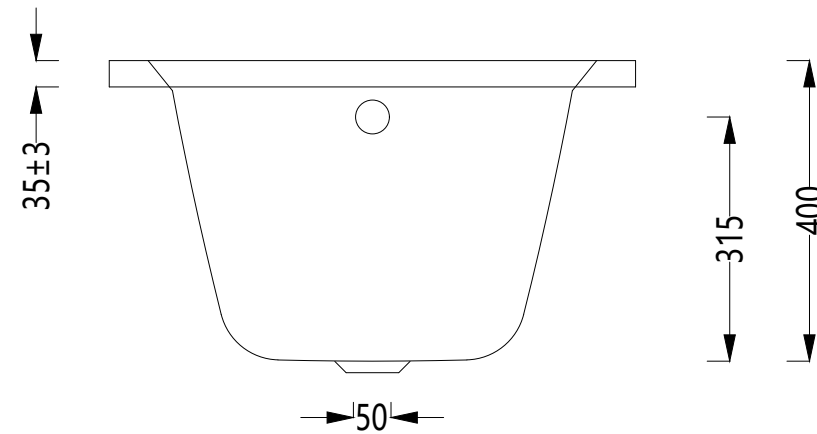
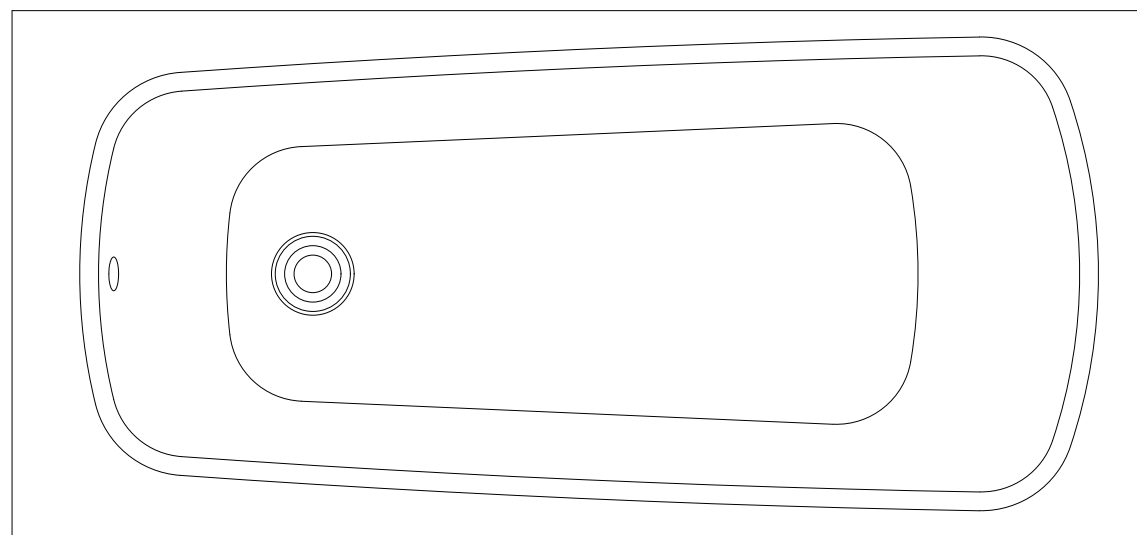


380
Min 510 / Max 555



400
115
80



400
580
700±5

920
1305
1500⁰/₋₁₀

Imex Ceramics UK Technical Drawings

PREMIER CAST CODE

IMP RSE15X7