

Paros Curved 772 x 500mm Towel Rail (Heating Only) PAC0772500CP



Specification

Finish	Chrome
Dimensions	772(h) x 500(w) x 100-115(d) mm
Weight	8kg
BTU Output/Hr	989
Watts @ Δ T50°C	290
Bars	3-5-5
Pipe Centres	450mm
Electric Element Wattage	-
Face to Face Connections	-
Radiator Columns	-
Material	Mild Steel

All heat outputs are shown at 50°C Δ t in compliance with BSEN442. Watts and Btu's apply to Heating and Dual Fuel only.

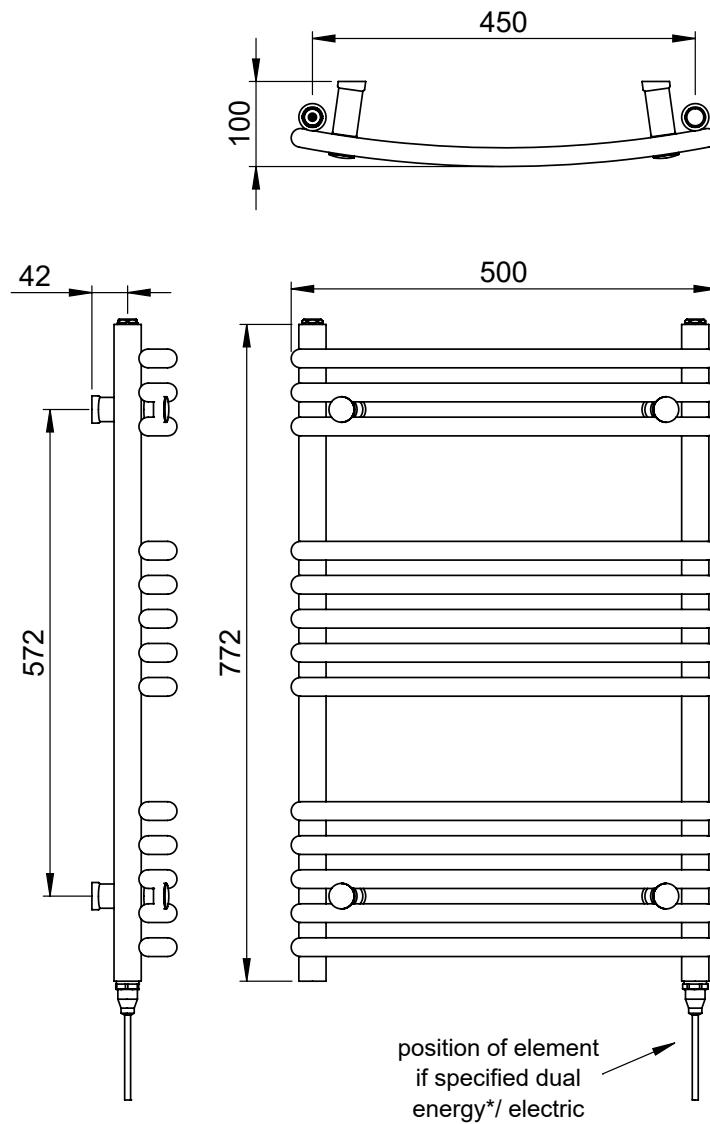
Key Features + Benefits



Certifications + Approvals

Technical Data Sheet | Designer Towel Rails

Paros Curved 772 x 500mm Towel Rail (Heating Only) PAC0772500CP



*Dual energy models require a conversion-tee, consult relevant drawing for details.