

Paros Straight 772 x 500mm Towel Rail (Dual Fuel) PA0772500CP-HE



Specification

Finish	Chrome
Dimensions	772(h) x 500(w) x 80-95(d) mm
Weight	8kg
BTU Output/Hr	989
Watts @ Δ T50°C	290
Bars	3-5-5
Pipe Centres	450mm
Electric Element Wattage	200
Face to Face Connections	-
Radiator Columns	-
Material	Mild Steel

All heat outputs are shown at 50°C Δ t in compliance with BSEN442. Watts and Btu's apply to Heating and Dual Fuel only.

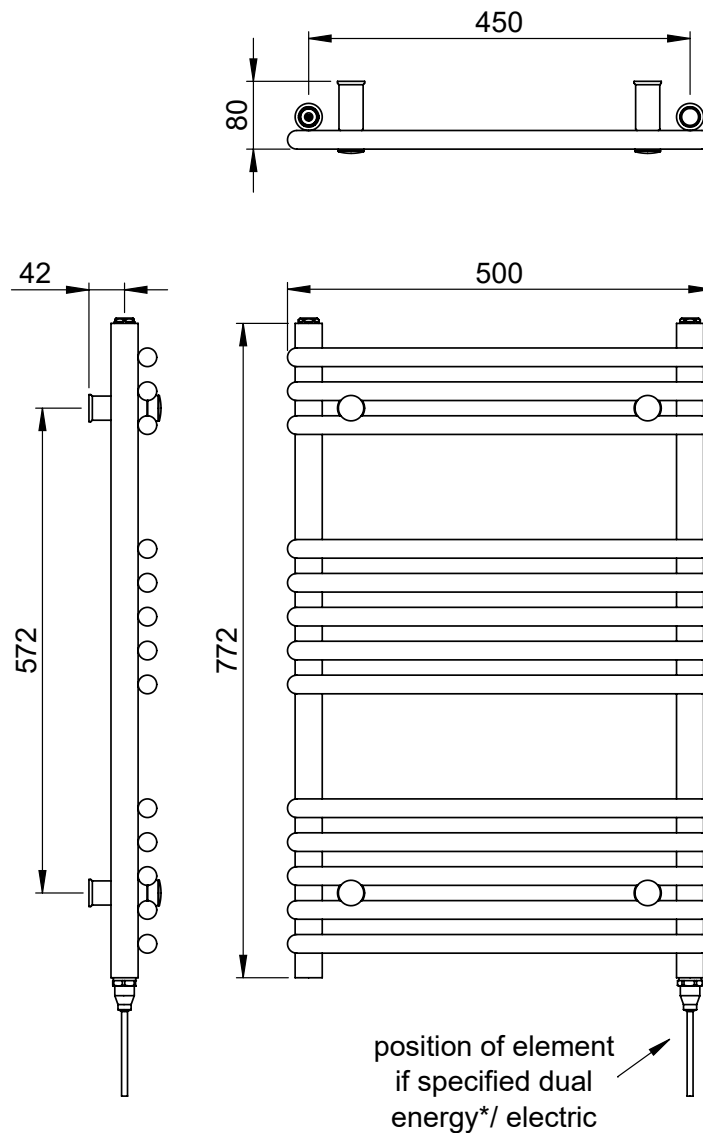
Key Features + Benefits



Certifications + Approvals

Technical Data Sheet | Designer Towel Rails

Paros Straight 772 x 500mm Towel Rail (Dual Fuel) PA0772500CP-HE



*Dual energy models require a conversion-tee, consult relevant drawing for details.