

### Basin Overflow Caps INSOVMB, INSOVBB

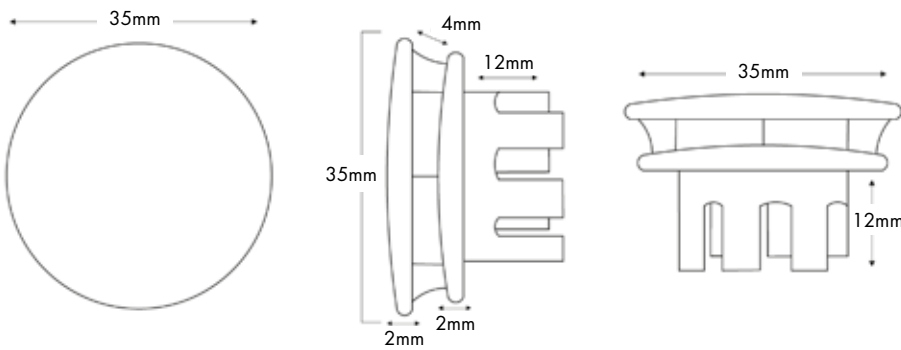


#### Specification

Finish	Matt Black (INSOVMB) Brushed Brass (INSOVBB)
Dimensions	35(diameter) mm
Weight	12g
Material	Plastic

#### FAQs

Please see next page



#### Key Features + Benefits

**3**

Years  
Guarantee

#### Certifications + Approvals

#### Imex Ceramics

15 Millbrook Industrial Estate, Sybron Way, Crowborough TN6 3DU. Technical Support – Tel: 01530 835598 Email: sales@imexceramic.co.uk

All information on the data sheet is correct at the time of publication. All measurements are approximate and subject to standard tolerances.

### Basin Overflow Caps INSOVMB, INSOVBB

### FAQs

**Q – Are the basin overflow caps compatible with all basins?**  
 A – Please see compatibility charts below.

#### Overflow Cap + Sanitaryware Compatibility

Code	Range
INSDN025	Dene
INSEC005	
INSEC014	
INSEC015	Ecstasy
INSEC030	
INSEC031	
INSLO031	
INSNU011	Loch
INST01029	
INST01003	
INSWA005	
INSNU011A	
INSWA011	
INSNU030	Nuance
INSSASQ005	
INSNU011	
INSNU020	
INSSA005	Samos
INSSASQ005	
INSEC005	
INSEC014	Tulla
INSEC015	
INSWA031	
INSWA030	
INSWA005	Wave
INSWA011	
INSWA011A	
INSWA006	