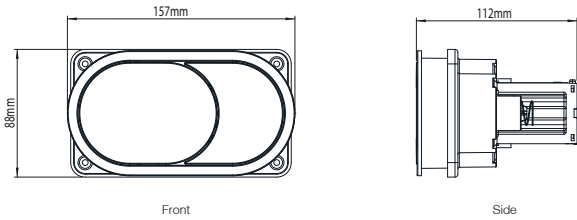


# Furniture Flush Plate EN

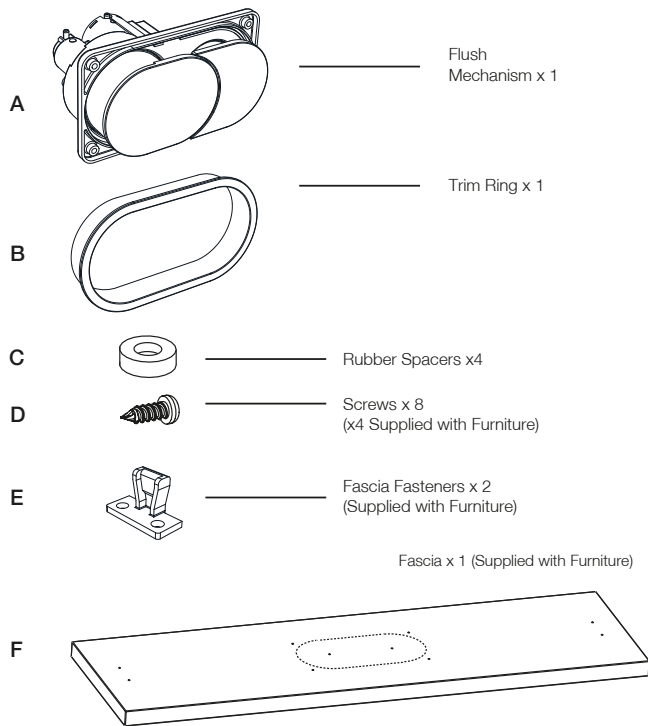
## FITTING INSTRUCTIONS

Please read carefully and make sure the warnings and after-care instructions are made available for the end user to read.

### Product Dimensions



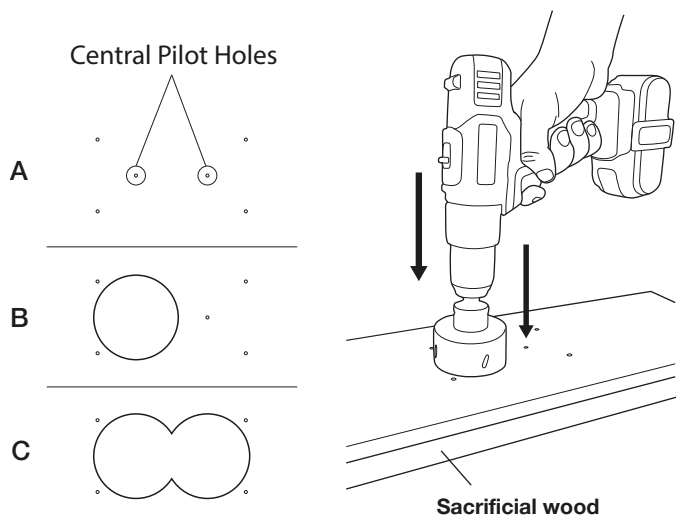
## FLUSH PLATE INSTALLATION



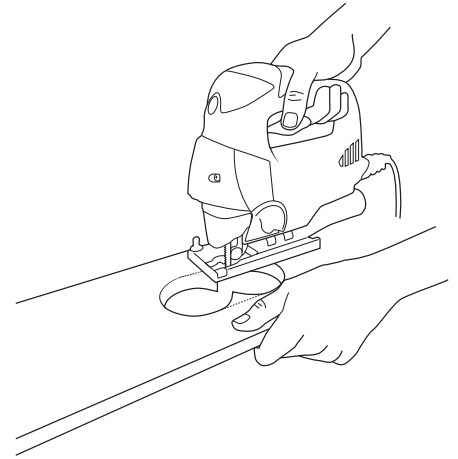
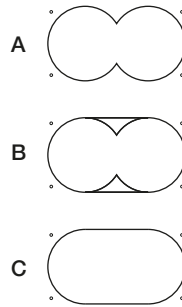
**Note:** If using with alternative furniture, please use the supplied template

## Instructions

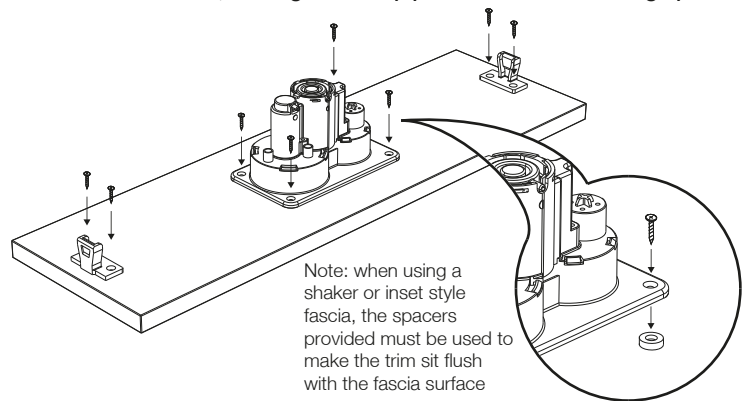
- Place the fascia on a clean sacrificial surface with the pilot holes facing outwards. Using a 76mm hole saw bit, cut two holes using the two central pilot holes as a guides for the cut.



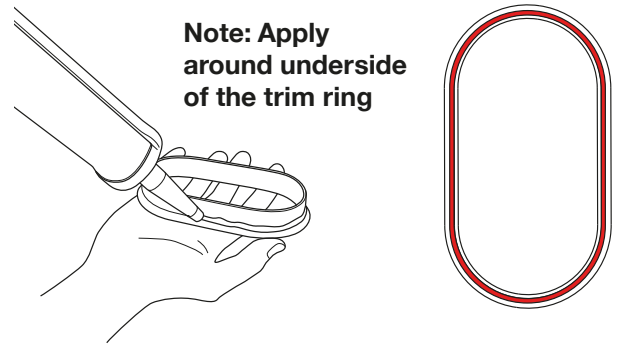
- Cut off the excess material using a jigsaw or router. Test the trim ring in the hole to make sure it's large enough to accommodate the flush plate. Use a file to shave off additional material if required.



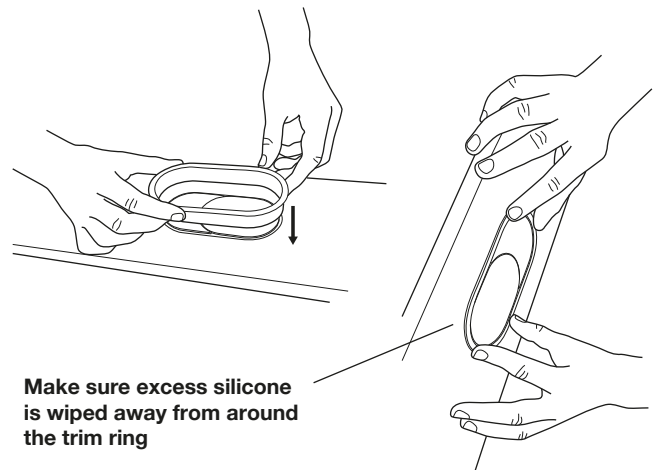
- Attach the mechanism to the fascia using the four pilot holes located around the cut, making sure the pipe connectors are facing upwards.



- Apply silicone around the underside of the trim ring.

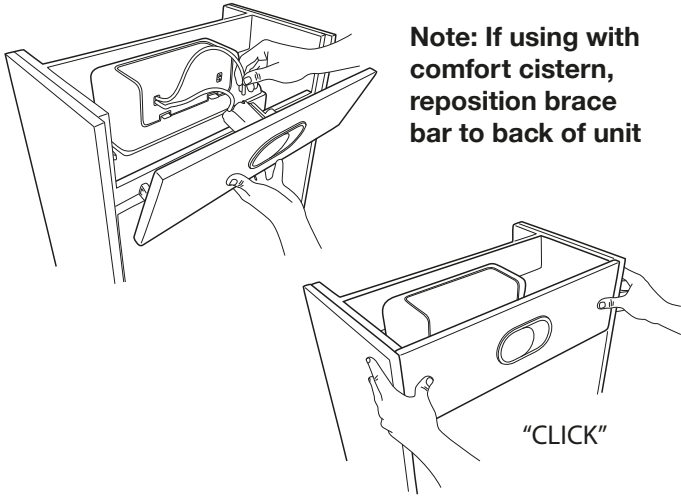


- Insert the trim ring into the front side of the fascia. Wipe away any excess silicone around the trim ring.

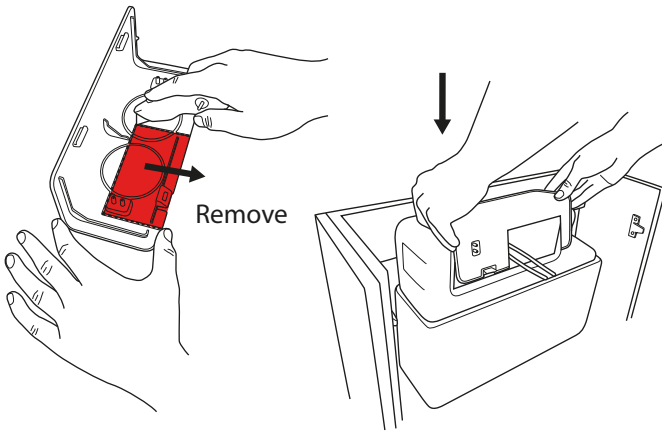


ALLOW 24 HOURS FOR SILICONE TO CURE

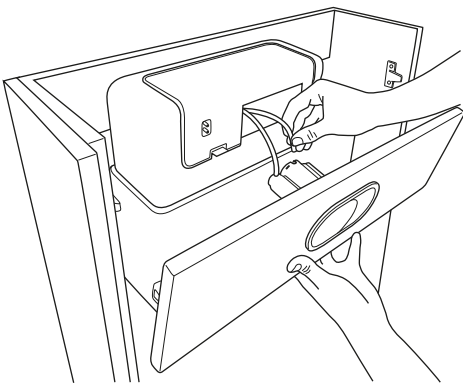
- 6** If using slim depth furniture please proceed to section 7. Attach the hoses from the cistern cover to the back of the flush plate. Then click the fascia to the furniture.



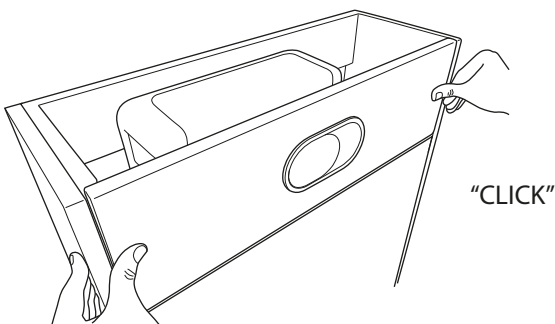
- 7** For slim depth furniture only. Using a knife cut along the cutting guide illustrated below to remove the material required. Then attach to cistern.



- 8** Attach the hoses directly from the flush valve on to the back of the flush mechanism.



- 9** Clip the fascia to the furniture unit

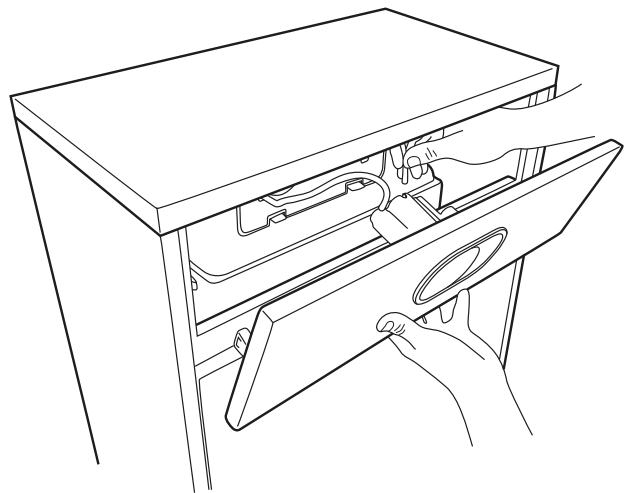


## ! WARNINGS

- The fittings pack contains small items which should be kept away from young children.
- Assembly should be carried out by a competent person. No liability will be accepted for damage or injury caused by incorrect product installation or assembly.
- Make sure that there are no kinks in the air pipes, this can cause the flush mechanism to malfunction or fail.
- Be careful of any sharp edges in on the cistern cover.
- Please refer to tank installation for half/full moon pipe connection.

## AFTERCARE INSTRUCTIONS

### Removing the fascia for maintenance



### Remove the fascia by unclipping the fascia clips.



Clean surfaces with a soft damp cloth and mild soap solution



Do not scrub or scour



Do not use abrasive cleaning agents. If using bleach, abrasive or corrosive cleaning agents inside the toilet bowl, ensure that these do not come into contact with the flush plate. Keep the seat in the upright position until all cleaner has been flushed away.

# ROPER RHODES®

For Technical Help Call:  
**01225 303 900**

Roper Rhodes Ltd | Brassmill Lane Trading Estate | Bath | BA1 3JF  
E: sales@roperrhodes.co.uk  
W: www.roperrhodes.co.uk