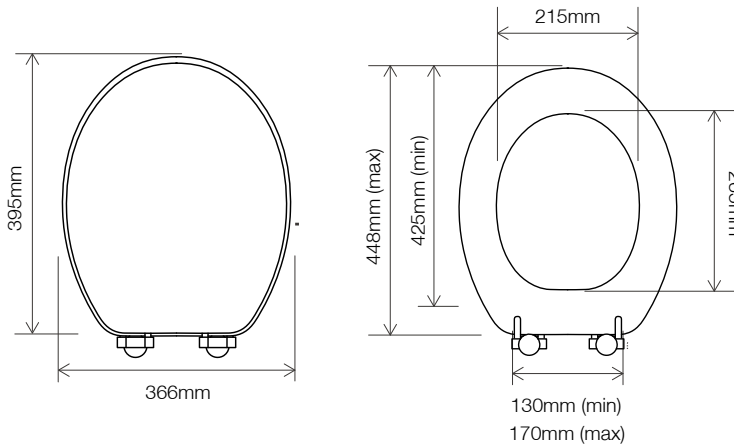


Opel Moulded Wood, Seat & Cover INST03010



Specification

Finish	White
Dimensions	47(h) x 366(w) x 395(d) mm
Weight	2.7kg
Seat Hinge Material	Plastic
Hinge Type	Standard
Hinge Fixing Type	Standard, Underfix
Antibacterial Protection	No
Seat Type	Sandwich
UV Protection	-
Max Load Test	150kg
Seat Material	Moulded Wood



Extra Dimensions

Seat/Lid Front to Back – 435mm	Seat Overall Thickness – 47mm
Seat/Lid Left to Right – 369mm	Width of Back of Seat – 250mm
Ring Hole Front to Back – 265mm	Min/Max Adjustment for Fixings – 135/175, 400/440mm
Ring Hole Left to Right – 215mm	

Key Features + Benefits

5

Years
Guarantee

Certifications + Approvals

Roper Rhodes

Brassmill Lane Trading Estate, Bath, BA1 3JF. Technical Support – Tel: 01225 303 900 Email: sales@roperrhodes.co.uk

All information on the data sheet is correct at the time of publication. All measurements are approximate and subject to standard tolerances.