

Nuance 1165 x 600mm Towel Rail (Electric Only) NU1160C-E



Specification

Finish	Chrome
Dimensions	1165(h) x 600(w) x 80(d) mm
Weight	17kg
BTU Output/Hr	-
Watts @ Δ T50°C	-
Bars	15
Pipe Centres	570mm
Electric Element Wattage	300
Face to Face Connections	-
Air Vent Position	-
Material	Mild Steel

All heat outputs are shown at 50°C Δ t in compliance with BSEN442. Watts and Btu's apply to Heating and Dual Fuel only.

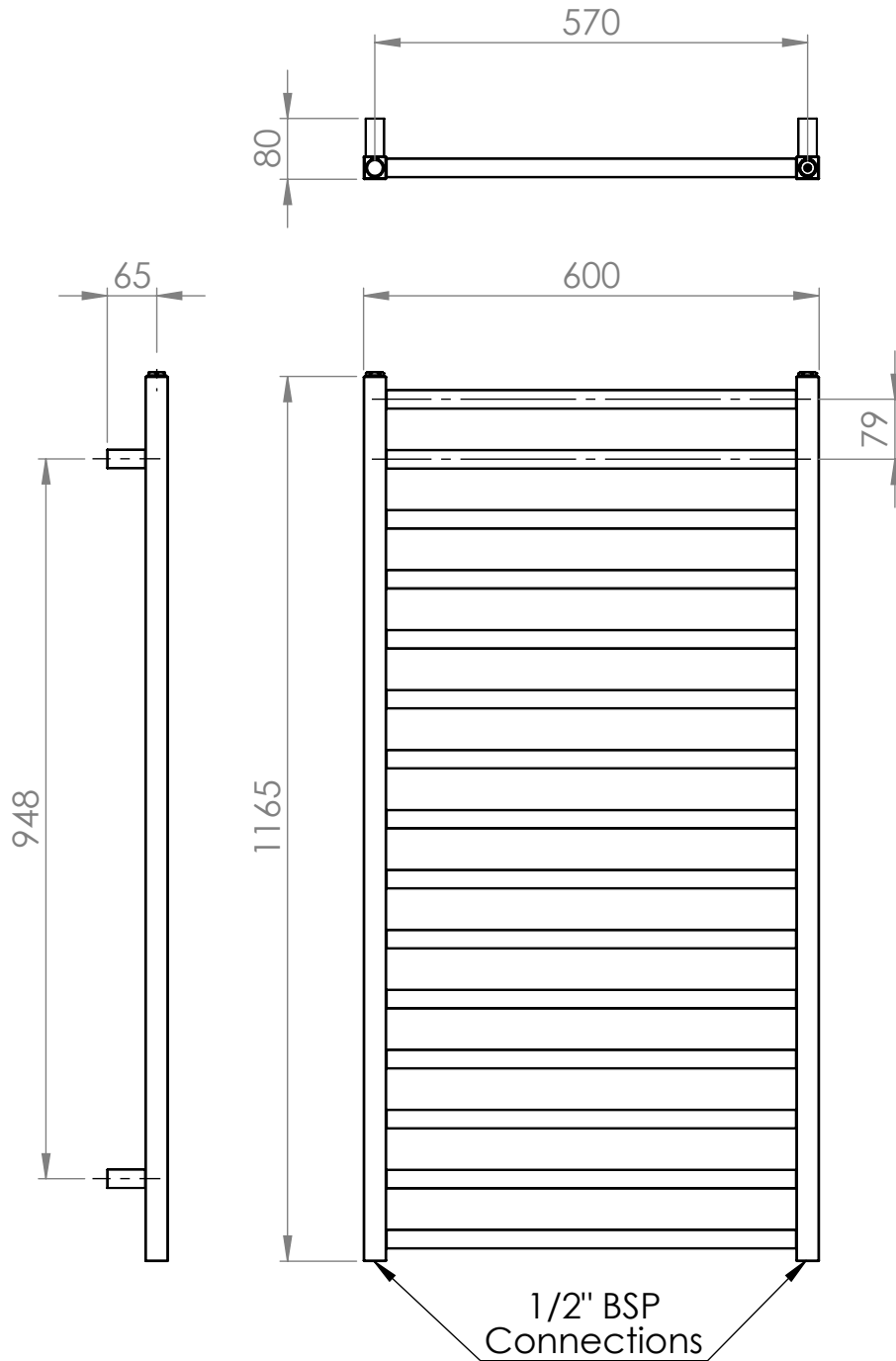
Key Features + Benefits



Certifications + Approvals

Technical Data Sheet | Designer Towel Rails

Nuance 1165 x 600mm Towel Rail (Electric Only) NU1160C-E



*Dual energy models require a conversion-tee, consult relevant drawing for details.