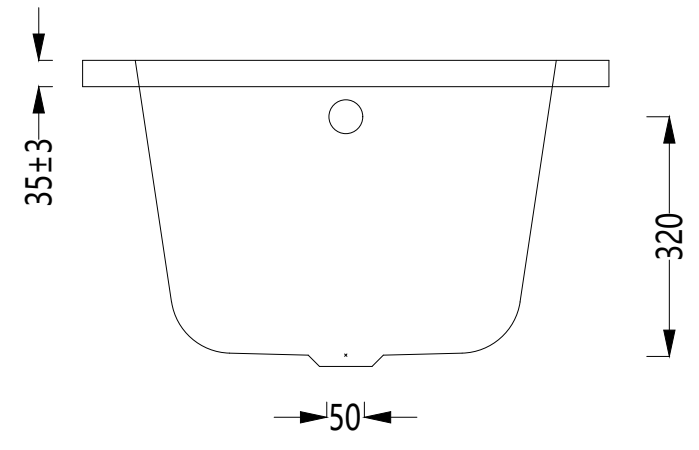
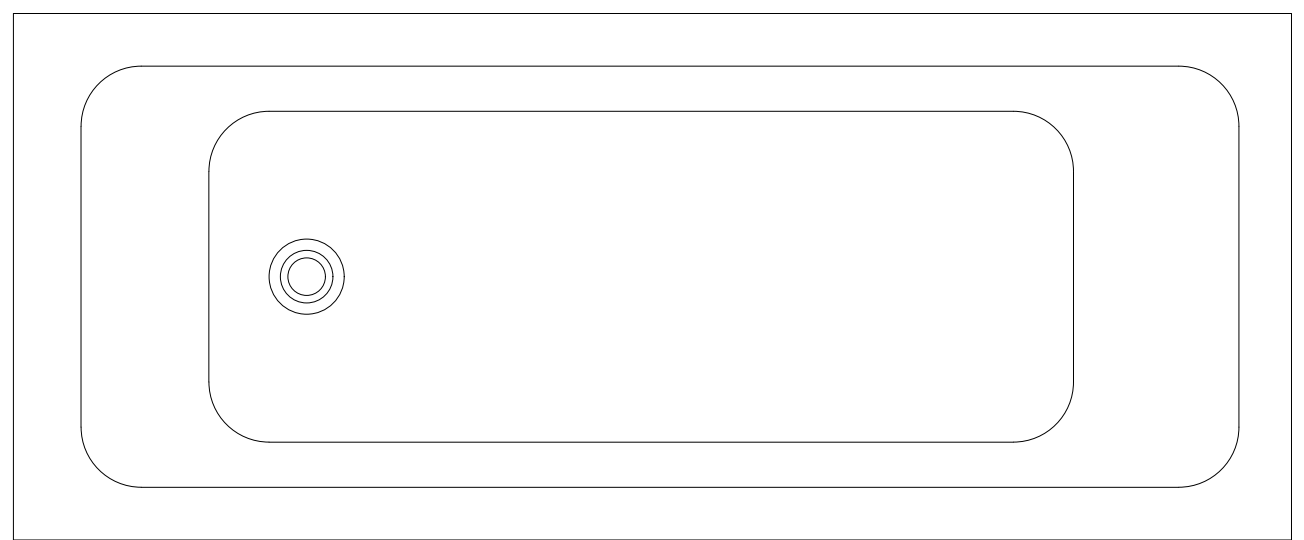


374  
Min 510 / Max 555



390  
90

70



440  
560  
700±5

1150  
1540  
1700<sup>0</sup>/<sub>-10</sub>

Imex Ceramics UK Technical Drawings

IMEX CAST CODE  
IMC QSE17X7