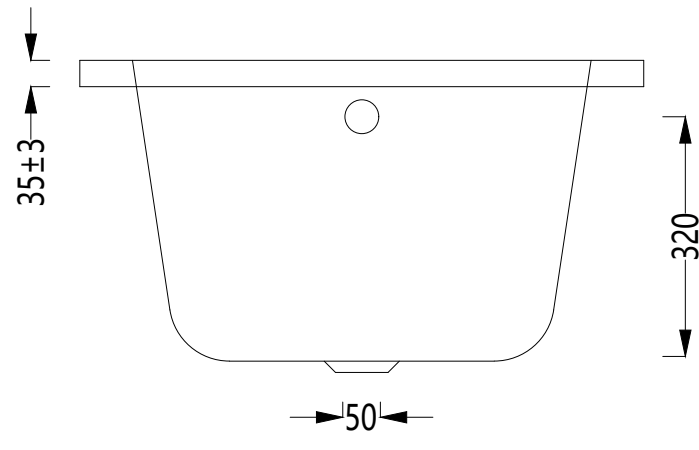


375
Min 510 / Max 555



390
90
70



490
610
750±5

1150
1540
1700⁰/₋₁₀

Imex Ceramics UK Technical Drawings

PREMIER CAST CODE
IMP QSE17X75