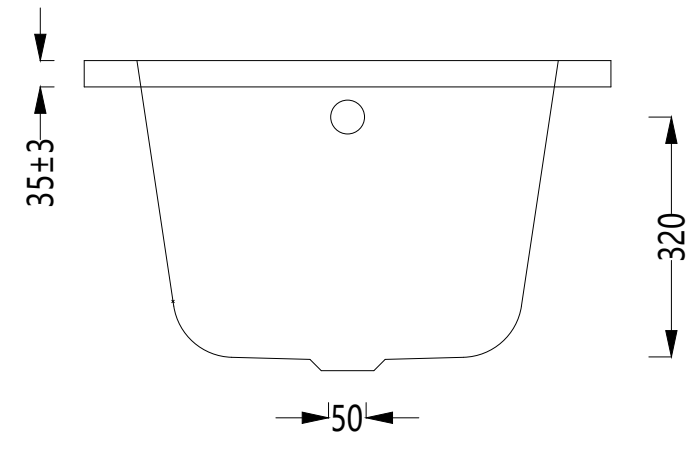


400
378
Min 510 / Max 555



390
90
70



440
560
700±5

1050
1440
1600⁰/₋₁₀

Imex Ceramics UK Technical Drawings

PREMIER CAST CODE
IMP QSE16X7