

© R2 Bathrooms. 2021

R2 Bathrooms, Brassmill Lane Trading Estate, Bath, BA1 3JF  
TEL: 01225 787 870 | [info@R2bathrooms.co.uk](mailto:info@R2bathrooms.co.uk)  
<http://www.R2bathrooms.co.uk/>

## NOVAS Slim LED Illuminated Mirror Installation & Aftercare Instructions

Retain for future reference

## Electrical Safety

Suitable for UK Installations **only**.

All fittings must be installed by a competent person, in accordance with current IEE wiring regulations. If in doubt consult a qualified electrician.

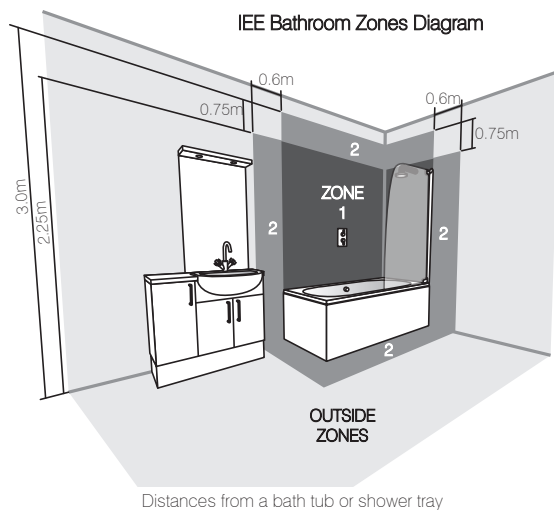
**Important:** Always switch off the electrical supply at the mains before installation and maintenance. It is recommended that the fuse is withdrawn or the circuit breaker is switched off for the necessary circuit before installation commences.

This product is manufactured to class I category and **must** have an earth connection.

### WIRING DIAGRAM - MAINS SUPPLY



## Bathroom Zones



Bathroom fittings are subject to the appropriate zones in accordance with IEE Regulations. This product is **only** suitable for permanent indoor installation in Zone 2 and outside zones. (See above) This product is **not** suitable for installation in Zone 0 or 1, saunas, steam rooms or shower cubicles. Do **not** connect to a trailing plug and socket. Do **not** install onto surfaces that are either damp or electrically conductive.

## After care service

### Cleaning your product

When cleaning the mirror or any mirrored surfaces it is recommended to use a soft, dry, non abrasive cloth with the mirror turned off. Do not use cleaning agents or abrasive materials.

**Do not** allow moisture to come into contact with any electrical components.

### Troubleshooting & After care service

For any further assistance, please contact our tech support team at: [info@R2bathrooms.co.uk](mailto:info@R2bathrooms.co.uk).

### 5 Year Guarantee

We have complete confidence in this R2 bathroom mirror and as such it is offered with a 5-year guarantee against defects in manufacture.

The guarantee requires that this product be used in the manner for which it was intended and that it is installed and maintained in accordance with the fitting instructions.

The guarantee covers products in domestic use only and is not transferable. In the unlikely event that this product should fail during the guarantee period we will either replace the faulty part or the complete unit as appropriate.

### Compliance

This product complies with all relevant British and European safety standards.



## Installation Procedure

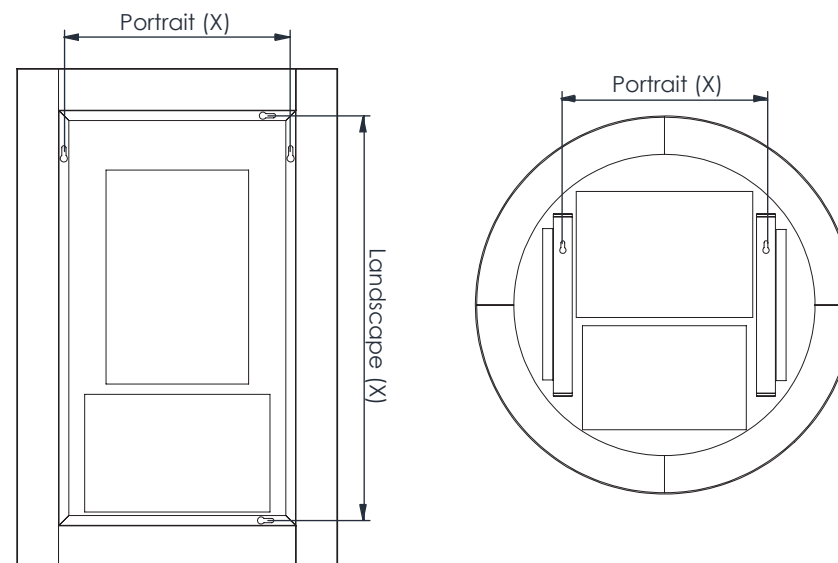
**Important:** Before starting the installation process, make sure the electrical supply is switched off. It is recommended that the fuse is withdrawn or the circuit breaker is switched off for the necessary circuit.

**Important:** Before starting the installation process, ensure the wall construction is suitable and can support the weight of the mirror.

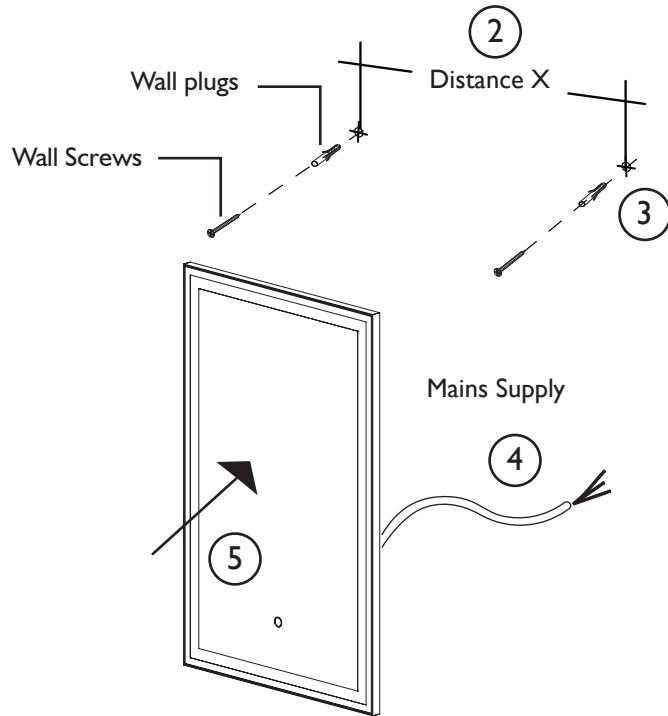
**Note:** The wall plugs supplied are suitable for solid stone / brick walls. For any other wall material use specialist wall plugs.

1) Measure the distance (X) between the keyhole slots on the back of the mirror.

2) Mark out the fixing screw positions on the wall using a pencil to the desired height, ensuring they are spaced at distance (X).



## Installation Procedure



3) Drill the marked out positions and fit the wall plugs accordingly. Fix the screw into position, leaving a small amount of the screw head proud of the wall for hanging.

4) Make the electrical connection from the mirror to the mains supply. Use the connection wire found at the rear of the mirror to make the necessary connections in accordance with the current IEE regulations. A second person will need to hold the mirror in place whilst electrical connections are made.

5) The mirror should easily slide onto the fixing screws and secure into place.

**NOTE:** To secure the mirror further, a small amount of silicone sealant can be applied to the side of the extrusions to prevent the mirror being accidentally pulled away from the wall.

To remove the mirror, the mirror should first be lifted and then pulled away from the wall.

## Operating Instructions

The Nouveau mirror comes with LED lighting and heated demister pad, which are controlled via a fixed touch sensor located on the front face of the product. The lighting can be controlled using the functions detailed below:

### Turn Mirror ON/OFF

To turn the product on/off, short press the touch sensor. When the product is on, the heated demister will turn on.

