

Nostell 800mm Ceramic One Taphole Basin INSTNO80BAS

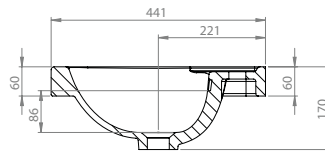
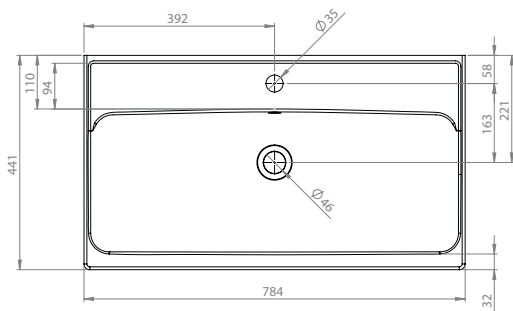


Specification

Finish	White
Dimensions	60(h) x 784(w) x 441(d) mm
Weight	17.2kg
Basin Material	Ceramic
Overflow	Yes
Chainstay Hole	No
Reversible	No
Taphole Positioning	Centre

FAQs

Please see next page



Key Features + Benefits



Years
Guarantee



One Taphole
Basin

Certifications + Approvals

Roper Rhodes

Brassmill Lane Trading Estate, Bath, BA1 3JF. Technical Support – Tel: 01225 303 900 Email: sales@roperrhodes.co.uk

All information on the data sheet is correct at the time of publication. All measurements are approximate and subject to standard tolerances.

Nostell 800mm Ceramic One Taphole Basin INSTNO80BAS

FAQs

Q – What is the maximum water depth of the basin?

A – 85mm up to the overflow.

Q – What is the width of the Tapledge?

A – The Tapledge is 163mm wide.

Q – What is the distance from the Taphole centre to Basin Waste?

A – 163mm

Q – Can this basin be wall mounted?

A – No, this basin cannot be wall mounted.

Q – Does the basin fit other furniture?

A – No, this basin does not fit any other furniture.

Q – What are the taphole/basin waste sizes?

A – All sizes are to British Standard - (BS EN 31)

– Diameter of the central taphole = 35mm : +2/ -1mm

– Bore of the waste outlet hole = 46mm : +2 / - 3mm

– Diameter of the base for the seal between the waste outlet hole and the waste fitting = ≥ 60 mm